



# **TimeCreator 1000 DOCSIS Timing Interface Server**

***User's Guide***  
*Revision A – November 2006*  
*Part Number 097-93100-01*

Symmetricom, Inc.  
2300 Orchard Parkway  
San Jose, CA 95131-1017  
U.S.A.

<http://www.symmetricom.com>

Copyright © 2003–2006 Symmetricom, Inc.  
All rights reserved. Printed in U.S.A.

All product names, service marks, trademarks, and registered trademarks  
used in this document are the property of their respective owners.

# Contents

## How to Use This Guide

|   |    |
|---|----|
| Purpose of This Guide .....                                   | 14 |
| Who Should Read This Guide.....                               | 14 |
| Structure of This Guide .....                                 | 15 |
| Conventions Used in This Guide.....                           | 16 |
| Warnings, Cautions, Recommendations, and Notes .....          | 17 |
| Related Documents and Information.....                        | 18 |
| Where to Find Answers to Product and Document Questions ..... | 18 |
| What's New In This Guide.....                                 | 18 |

## Chapter 1 Overview of the TimeCreator 1000

|                                       |    |
|---------------------------------------|----|
| Overview .....                        | 20 |
| Shelf .....                           | 22 |
| Input Signals .....                   | 22 |
| Output Signals .....                  | 23 |
| Communications Ports .....            | 23 |
| Clock Design.....                     | 24 |
| Operating Modes .....                 | 24 |
| Performance Monitoring .....          | 25 |
| DTI Client Monitoring .....           | 25 |
| Phase Measurements.....               | 25 |
| MTIE Calculations.....                | 25 |
| Physical Description .....            | 25 |
| Functional Description.....           | 26 |
| IOC Module.....                       | 28 |
| IMC Module.....                       | 28 |
| Power Module.....                     | 29 |
| Rear Panel Connectors.....            | 29 |
| Communication Ports .....             | 29 |
| Local Craft Serial Port.....          | 29 |
| Management Ethernet Port.....         | 30 |
| NTP Server Ethernet Port.....         | 30 |
| Outputs .....                         | 30 |
| Reference Inputs and TOD Sources..... | 30 |

Alarms . . . . .31

**Chapter 2 Engineering and Ordering Procedures**

Overview . . . . .34

TimeCreator 1000 Part Numbers . . . . .34

    System Configurations . . . . .34

    Two-Way GPS Antenna . . . . .35

    Common Configuration Parts Lists . . . . .36

User-Supplied Tools and Materials . . . . .40

**Chapter 3 Installing the TimeCreator 1000**

Getting Started . . . . .42

    Site Survey . . . . .42

    Installation Tools and Equipment . . . . .43

Unpacking the Unit . . . . .43

Rack Mounting the Shelf . . . . .44

Working With Modules . . . . .45

    Handling Modules . . . . .45

    Inserting Modules . . . . .46

    Removing Modules . . . . .46

Making Signal Connections . . . . .47

    Making Communications Connections . . . . .47

    GPS Connections . . . . .49

    Input and Output Connections . . . . .49

Making Ground and Power Connections . . . . .50

    Ground Connections . . . . .50

    Power Connections . . . . .50

Installation Check List . . . . .52

Applying Power to the TimeCreator 1000 . . . . .52

    Normal Power Up Indications . . . . .53

**Chapter 4 General Guidelines for using the Symmetricom TimeCreator 1000**

Clock Operations . . . . .58

GPS . . . . .58

NTP Client Mode . . . . .58

|   |    |
|---|----|
| DHCP .....  | 59 |
| CLI commands .....  | 59 |
| Logging In And Out .....                                      | 59 |
| Adding And Deleting Users .....                               | 59 |
| Saving The Present Configuration To Non-volatile Memory ..... | 59 |
| Restoring Default Configuration .....                         | 59 |
| Determining Status .....                                      | 60 |
| Enabling Outputs .....  | 60 |
| Setting The Output To Test Mode .....                         | 60 |
| Configuring For Default Mode (Real Time Clock) .....          | 60 |
| Configuring For User Mode .....                               | 60 |
| Configuring For GPS Mode .....                                | 60 |
| Configuring For NTP Mode .....                                | 61 |
| Configuring For Subtending Mode .....                         | 61 |
| Forcing Unit To Send New Time .....                           | 61 |
| Setting Manual Cable Advance .....                            | 62 |
| Setting Auto Cable Advance .....                              | 62 |
| Configuring Static IP .....                                   | 62 |
| Configuring Dynamic IP .....                                  | 62 |
| Switching Active And Standby Cards .....                      | 62 |

## Chapter 5 Provisioning

|   |    |
|---|----|
| Establishing a Connection to the TimeCreator 1000 ..... | 64 |
| Communicating Through the Serial Port .....             | 64 |
| Communicating Through the Ethernet Port .....           | 64 |
| Managing the User Access List .....                     | 66 |
| Login .....   | 66 |
| Adding a User .....                                     | 67 |
| Deleting A User .....                                   | 67 |
| Displaying Current Users and User Access Levels .....   | 68 |
| Changing a User's Password and Access Level .....       | 68 |
| Locking Out a User .....                                | 68 |
| Provisioning Login Authentication .....                 | 69 |
| Provisioning Services .....                             | 69 |
| Provisioning the Ethernet Ports .....                   | 70 |
| Static IP Mode .....                                    | 70 |
| DHCP Mode .....   | 70 |
| Setting the System Date Time and Time Offset .....      | 71 |

|  |    |
|--|----|
| Setting the DTI Server Type . . . . .                        | 71 |
| Root DTI Server in Free-run Mode . . . . .                   | 72 |
| Root DTI Server in GPS Mode . . . . .                        | 73 |
| Subtending DTI Server Mode . . . . .                         | 73 |
| Provisioning the Input Reference . . . . .                   | 74 |
| Setting the GPS Parameters . . . . .                         | 74 |
| Setting the DTI Parameters . . . . .                         | 74 |
| Setting the NTP Parameters . . . . .                         | 75 |
| Force System Time to Reference (Jam Sync) . . . . .          | 75 |
| Provisioning the DTI Links . . . . .                         | 76 |
| Enabling and Disabling the DTI Server Links . . . . .        | 76 |
| Enabling and Disabling the DTI Client/Server Links . . . . . | 76 |
| Enabling DTI Test Mode . . . . .                             | 77 |
| Provisioning Revertive and Non-Revertive Mode . . . . .      | 78 |
| Provisioning SNMP . . . . .                                  | 79 |
| Provisioning an NTP Server . . . . .                         | 79 |
| Provisioning Cable Advance . . . . .                         | 80 |
| Provisioning Alarms . . . . .                                | 80 |
| Provisioning the Set and Clear Alarm Thresholds . . . . .    | 80 |
| Retrieving Current Alarm Settings . . . . .                  | 81 |
| Retrieving Current Alarms . . . . .                          | 82 |
| Displaying Alarm and Unit Status . . . . .                   | 82 |
| Routine Operation Commands . . . . .                         | 82 |
| Displaying Alarms . . . . .                                  | 83 |
| Displaying Events . . . . .                                  | 83 |
| Restarting the TimeCreator 1000 . . . . .                    | 83 |
| Saving and Restoring Provisioning Data . . . . .             | 83 |
| Backing up Provisioning Data . . . . .                       | 83 |

## **Chapter 6 Maintenance and Troubleshooting**

|                                  |    |
|----------------------------------|----|
| Preventive Maintenance . . . . . | 86 |
| Safety Considerations . . . . .  | 86 |
| ESD Considerations . . . . .     | 86 |
| Diagnosing the IOC . . . . .     | 87 |
| Reading LED Conditions . . . . . | 87 |
| Removing the IOC . . . . .       | 87 |
| Replacing the IOC . . . . .      | 90 |

|  |    |
|--|----|
| Diagnosing the IMC . . . . .             | 91 |
| Reading LED Conditions . . . . .         | 91 |
| Replacing the IMC . . . . .              | 92 |
| Repairing the TimeCreator 1000 . . . . . | 92 |
| Obtaining Technical Assistance . . . . . | 93 |
| Upgrading the Firmware . . . . .         | 93 |
| Upgrading the IOC . . . . .              | 93 |
| Upgrading the IMC . . . . .              | 95 |
| Returning the TimeCreator 1000 . . . . . | 96 |
| Repacking the Unit . . . . .             | 96 |
| Equipment Return Procedure . . . . .     | 96 |
| User's Guide Updates . . . . .           | 97 |

## **Appendix A Alarms Events and System Messages**

|                           |     |
|---------------------------|-----|
| Events . . . . .          | 100 |
| Alarm Messages . . . . .  | 102 |
| System Messages . . . . . | 104 |

## **Appendix B Command Descriptions and Communications Interface**

|  |     |
|--|-----|
| CLI Overview . . . . .                       | 110 |
| General Conventions . . . . .                | 110 |
| Command User Levels . . . . .                | 110 |
| CLI Commands . . . . .                       | 111 |
| Simple Network Management Protocol . . . . . | 158 |
| SNMP Features . . . . .                      | 158 |
| SNMPv3 Security Features . . . . .           | 158 |
| Management Information Base . . . . .        | 159 |
| SNMP Users and Manager Addresses . . . . .   | 159 |
| Network Time Protocol . . . . .              | 160 |
| Server Mode . . . . .                        | 161 |
| Client Mode . . . . .                        | 161 |
| Secure Shell Protocol . . . . .              | 161 |
| Secure File Transfer Protocol . . . . .      | 161 |

## **Appendix C Installing the Two-Way GPS Antenna**

|                                 |     |
|---------------------------------|-----|
| Tools .....                     | 164 |
| Parts .....                     | 164 |
| Making GPS Connections.....     | 165 |
| Installing the GPS Antenna..... | 165 |

## **Appendix D Specifications and Factory Defaults**

|                            |     |
|----------------------------|-----|
| Specifications .....       | 174 |
| Mechanical .....           | 174 |
| Environmental.....         | 174 |
| Power .....                | 175 |
| Serial Port.....           | 175 |
| LAN Port.....              | 176 |
| Input Signals.....         | 176 |
| Output Signals .....       | 176 |
| Roof Antenna .....         | 177 |
| Factory Defaults .....     | 177 |
| Alarm Default Values ..... | 180 |

## **Appendix E Software Licenses**

|                            |     |
|----------------------------|-----|
| Third-Party Software ..... | 182 |
|----------------------------|-----|

|                    |     |
|--------------------|-----|
| <b>Index</b> ..... | 185 |
|--------------------|-----|



# Figures

|     |   |     |
|-----|---|-----|
| 1-1 | DTI Server Hierarchy and M-CMTS Elements. . . . . | 20  |
| 1-2 | TimeCreator 1000 Front View . . . . .             | 21  |
| 1-3 | TimeCreator 1000 Rear View . . . . .              | 21  |
| 1-4 | TimeCreator 1000 Modules and DTI Links . . . . .  | 26  |
| 1-5 | TimeCreator 1000 Block Diagram . . . . .          | 27  |
| 1-6 | IMC Module Block Diagram . . . . .                | 27  |
| 1-7 | IOC Module Block Diagram . . . . .                | 28  |
|     |   |     |
| 3-1 | Installing the TimeCreator 1000. . . . .          | 45  |
| 3-2 | IMC Module . . . . .                              | 47  |
| 3-3 | Serial Port Connector Pins . . . . .              | 48  |
| 3-4 | Rear Panel DTI Links. . . . .                     | 50  |
| 3-5 | TimeCreator 1000 DC Power Module . . . . .        | 51  |
| 3-6 | TimeCreator 1000 AC Power Module . . . . .        | 52  |
|     |   |     |
| C-1 | Locating the GPS Antenna . . . . .                | 165 |
| C-2 | Antenna-to-Device Cabling . . . . .               | 167 |
| C-3 | Installing the Antenna Bracket on a Pipe. . . . . | 168 |
| C-4 | Installing the Antenna Bracket on a Post. . . . . | 168 |
| C-5 | Attaching the Antenna to the Bracket . . . . .    | 169 |
| C-6 | Assembling the Lightning Suppressor . . . . .     | 170 |



# Tables

|      |   |     |
|------|---|-----|
| 2-1  | Common Configurations . . . . .   | 34  |
| 2-2  | Component Part Numbers . . . . .  | 35  |
| 2-3  | GPS Parts and Accessories. . . . .  | 35  |
| 2-4  | TimeCreator 1000 No Redundancy - NA AC Power - P/N 990-93101-01 . . . . . | 36  |
| 2-5  | Basic Slave - NA AC Power - P/N 990-93105-01 . . . . .                    | 36  |
| 2-6  | Basic Slave - DC Power - P/N 990-93106-01 . . . . .                       | 37  |
| 2-7  | Basic Root - NA AC Power - P/N 990-93107-01 . . . . .                     | 37  |
| 2-8  | Basic Root - DC power - P/N 990-93108-01 . . . . .                        | 38  |
| 2-9  | Enhanced Root - NA AC Power - P/N 990-93109-01 . . . . .                  | 38  |
| 2-10 | Enhanced Root - DC power - P/N 990-93110-01. . . . .                      | 39  |
| 2-11 | GPS Antenna Kit - P/N 990-93500-01 . . . . .                              | 39  |
| 2-12 | NTP option - P/N 990-93200-01 . . . . .                                   | 39  |
|      |   |     |
| 3-1  | Management and NTP Server Ethernet Connector Pin Assignments . . . . .    | 47  |
| 3-2  | Serial Port Connector Pin Assignments. . . . .                            | 48  |
| 3-3  | DTI and Root DTI Connector Pin Assignments . . . . .                      | 49  |
| 3-4  | Installation Completeness Checklist . . . . .                             | 52  |
| 3-5  | Module LED Descriptions . . . . .   | 53  |
|      |   |     |
| 4-1  | TOD Source Modes . . . . .  | 58  |
| 5-1  | User Level and Access . . . . .   | 66  |
| 5-2  | DTI Link LED Indicators. . . . .  | 77  |
|      |   |     |
| 6-1  | Preventive Maintenance . . . . .  | 86  |
| 6-2  | LED Conditions for the IOC . . . . .                                      | 87  |
| 6-3  | LED Conditions for the IMC. . . . .                                       | 91  |
|      |   |     |
| A-1  | Events . . . . .  | 100 |
| A-2  | Alarms . . . . .  | 102 |
| A-3  | System Provisioning Messages. . . . .                                     | 105 |
| A-4  | System Notification Messages. . . . .                                     | 108 |
|      |   |     |
| B-1  | Set Alarm-State Alarm Codes . . . . .                                     | 112 |
| B-2  | Time Zone Offsets . . . . .   | 119 |
|      |   |     |
| C-1  | GPS Parts and Accessories. . . . .  | 164 |
|      |   |     |
| D-1  | TimeCreator 1000 Mechanical Specifications . . . . .                      | 174 |
| D-2  | TimeCreator 1000 Environmental Specifications . . . . .                   | 174 |
| D-3  | TimeCreator 1000 Power Specifications . . . . .                           | 175 |
| D-4  | Serial Port Specifications . . . . .                                      | 175 |

List of Tables

|      |   |     |
|------|---|-----|
| D-5  | LAN Port Specifications . . . . .           | 176 |
| D-6  | Input Signal Specifications . . . . .       | 176 |
| D-7  | Output Signal Specifications . . . . .      | 176 |
| D-8  | Antenna Specifications . . . . .            | 177 |
| D-9  | GPS and DTI Port Parameters . . . . .       | 177 |
| D-10 | IMC and Communication Parameters . . . . .  | 178 |
| D-11 | GPS and DTI Port Alarm Parameters . . . . . | 180 |

# How to Use This Guide

This section describes the format, layout, and purpose of this guide.

## In This Preface

- [Purpose of This Guide](#)
- [Who Should Read This Guide](#)
- [Structure of This Guide](#)
- [Conventions Used in This Guide](#)
- [Warnings, Cautions, Recommendations, and Notes](#)
- [Related Documents and Information](#)
- [Where to Find Answers to Product and Document Questions](#)
- [What's New In This Guide](#)

## Purpose of This Guide

---

The *TimeCreator 1000 User's Guide* describes the procedures for unpacking, installing, using, maintaining, and troubleshooting the Symmetricom TimeCreator 1000 DOCSIS Timing Interface Server (TimeCreator 1000). It also includes appendixes that describe alarms and events, the languages that you use to communicate with the TimeCreator 1000, default values, and other information.

## Who Should Read This Guide

---

[Chapter 1, Overview of the TimeCreator 1000](#), is written for non-technical audiences who need general information about the product. [Chapter 2, Engineering and Ordering Procedures](#), and subsequent chapters contain technical information about the product. Other chapters and appendixes describe installation, maintenance, and configuration instructions or details primarily intended for qualified maintenance personnel.

This User's Guide is designed for the following categories of users:

- **Systems Engineers** – [Chapter 1](#) provides an introduction to the TimeCreator 1000, Cross-references in this chapter direct you to detailed system information in other chapters as appropriate.
- **Installation Engineers** – [Chapter 2](#) through [Chapter 6](#) and the appendixes provide detailed information and procedures to ensure proper installation, operation, configuration, and testing of the TimeCreator 1000.
- **Maintenance Engineers** – [Chapter 6](#) and the appendixes provide preventive and corrective maintenance guidelines, as well as procedures for diagnosing and troubleshooting fault indications and alarms.

While [Chapter 1](#) is written for non-technical audiences who need information about the TimeCreator 1000 system, others, such as [Chapter 2](#) through [Chapter 6](#) contain detailed information and instructions which are intended to be performed by *qualified personnel only*.

## Structure of This Guide

---

This guide contains the following sections and appendixes:

| Chapter, Title   | Description   |
|--|---|
| <a href="#">Chapter 1, Overview of the TimeCreator 1000</a>                              | Provides an overview of the product, describes the major hardware and software features, and lists the system specifications. |
| <a href="#">Chapter 2, Engineering and Ordering Procedures</a>                           | Lists the part number and ordering procedure for all TimeCreator 1000 parts and accessories.                                  |
| <a href="#">Chapter 3, Installing the TimeCreator 1000</a>                               | Contains procedures for unpacking and installing the system, and for powering up the unit.                                    |
| <a href="#">Chapter 4, General Guidelines for using the Symmetricom TimeCreator 1000</a> | Provides basic information to which users can refer to ensure proper system operation.  |
| <a href="#">Chapter 5, Provisioning</a>  | Describes the commands and procedures required to provision the TimeCreator 1000 after installing the unit.                   |
| <a href="#">Chapter 6, Maintenance and Troubleshooting</a>                               | Contains preventive and corrective maintenance, and troubleshooting procedures for the product.                               |
| <a href="#">Appendix A, Alarms Events and System Messages</a>                            | Lists the alarms and events and provides basic indications of the source of the alarm.  |
| <a href="#">Appendix B, Command Descriptions and Communications Interface</a>            | Describes the CLI command conventions, functions, and features and the SNMP, NTP, SSH, and SFTP protocols.                    |
| <a href="#">Appendix C, Installing the Two-Way GPS Antenna</a>                           | Provides procedures for installing a GPS antenna and connecting it to the TimeCreator 1000.                                   |
| <a href="#">Appendix D, Specifications and Factory Defaults</a>                          | Lists the specifications for the TimeCreator 1000.  |
| <a href="#">Appendix E, Software Licenses</a>  | Contains licensing information for third party software.  |
| <a href="#">Index</a>  | Provides references to individual topics within this guide.   |

## Conventions Used in This Guide

---

This guide uses the following conventions:

- **Acronyms and Abbreviations** – Terms are spelled out the first time they appear in text. Thereafter, only the acronym or abbreviation is used.
- **Revision Control** – The title page lists the printing date and versions of the product this guide describes.
- **Typographical Conventions** – This guide uses the typographical conventions described in the table below.

| When text appears this way...            | ... it means:   |
|--|---|
| TimeCreator 1000 User's Guide            | The title of a document.  |
| CRITICAL                                 | An operating mode, alarm state, status, or chassis label.   |
| Select <b>File</b> , <b>Open</b> ...     | Click the Open option on the File menu.   |
| Press <b>Enter</b><br>Press;             | A named keyboard key.<br>The key name is shown as it appears on the keyboard.<br>An explanation of the key's acronym or function immediately follows the first reference to the key, if required. |
| Username :                               | Text in a source file or a system prompt or other text that appears on a screen.  |
| ping<br>status                           | A command you enter at a system prompt or text you enter in response to a program prompt. You must enter commands for case-sensitive operating systems exactly as shown.                          |
| <i>qualified personnel</i>               | A word or term being emphasized.  |
| Symmetricom <b>does not</b> recommend... | A word or term given special emphasis.  |



## Warnings, Cautions, Recommendations, and Notes

---

Warnings, Cautions, Recommendations, and Notes attract attention to essential or critical information in this guide. The types of information included in each are explained in the following examples.



**Warning:** To avoid serious personal injury or death, *do not* disregard warnings. All warnings use this symbol. Warnings are installation, operation, or maintenance procedures, practices, or statements, that if not strictly observed, may result in serious personal injury or even death.

---



**Caution:** To avoid personal injury, *do not* disregard cautions. All cautions use this symbol. Cautions are installation, operation, or maintenance procedures, practices, conditions, or statements, that if not strictly observed, may result in damage to, or destruction of, the equipment. Cautions are also used to indicate a long-term health hazard.

---



**ESD Caution:** To avoid personal injury and electrostatic discharge (ESD) damage to equipment, *do not* disregard ESD cautions. All ESD cautions use this symbol. ESD cautions are installation, operation, or maintenance procedures, practices, conditions, or statements that if not strictly observed, may result in possible personal injury, electrostatic discharge damage to, or destruction of, static-sensitive components of the equipment.

---



**Electrical Shock Caution:** To avoid electrical shock and possible personal injury, *do not* disregard electrical shock cautions. All electrical shock cautions use this symbol. Electrical shock cautions are practices, procedures, or statements, that if not strictly observed, may result in possible personal injury, electrical shock damage to, or destruction of components of the equipment.

---



**Recommendation:** All recommendations use this symbol. Recommendations indicate manufacturer-tested methods or known functionality. Recommendations contain installation, operation, or maintenance procedures, practices, conditions, or statements, that provide important information for optimum performance results.

---



**Note:** All notes use this symbol. Notes contain installation, operation, or maintenance procedures, practices, conditions, or statements, that alert you to important information, which may make your task easier or increase your understanding.

---

## Related Documents and Information

---

See your Symmetricom representative or sales office for a complete list of available documentation.



**Note:** Symmetricom offers training courses designed to enhance your knowledge of the TimeCreator 1000. Contact your local representative or sales office for a complete list of courses and outlines.

---

## Where to Find Answers to Product and Document Questions

---

For additional information about the products described in this guide, please contact your Symmetricom representative or your local sales office. You can also contact us on the web at [www.symmetricom.com](http://www.symmetricom.com).

## What's New In This Guide

---

This is the first release of this User's Guide.

# Chapter 1 Overview of the TimeCreator 1000

This chapter provides introductory information for the TimeCreator 1000.

## **In This Chapter**

- [Overview](#)
- [Performance Monitoring](#)
- [Physical Description](#)
- [Functional Description](#)
- [Communication Ports](#)
- [Outputs](#)
- [Reference Inputs and TOD Sources](#)
- [Alarms](#)

# Overview

The TimeCreator 1000, shown in [Figure 1-2](#), is a DOCSIS Timing Interface (DTI) Server that delivers accurate timestamp and frequency synchronization, and with GPS it can also provide Time of Day (TOD) to DTI client elements in a Modular Cable Modem Termination System (M-CMTS) architecture. M-CMTS elements shown in [Figure 1-1](#) (Edge QAMs, Upstream Receivers, M-CMTS Core, etc.) use DTI to synchronize the DOCSIS Timestamp and Symbol Clock used in the DOCSIS communications between modems and the headend/hub. The TimeCreator 1000 functions as either a root server or subtending server. The root server is at the top of a server hierarchy and is the source of traceable time and frequency for all subtending DTI servers and clients in a building. The subtending server receives its time and frequency reference through a direct connection to a root server's DTI link connector; a subtending server cannot be referenced to another subtending server.

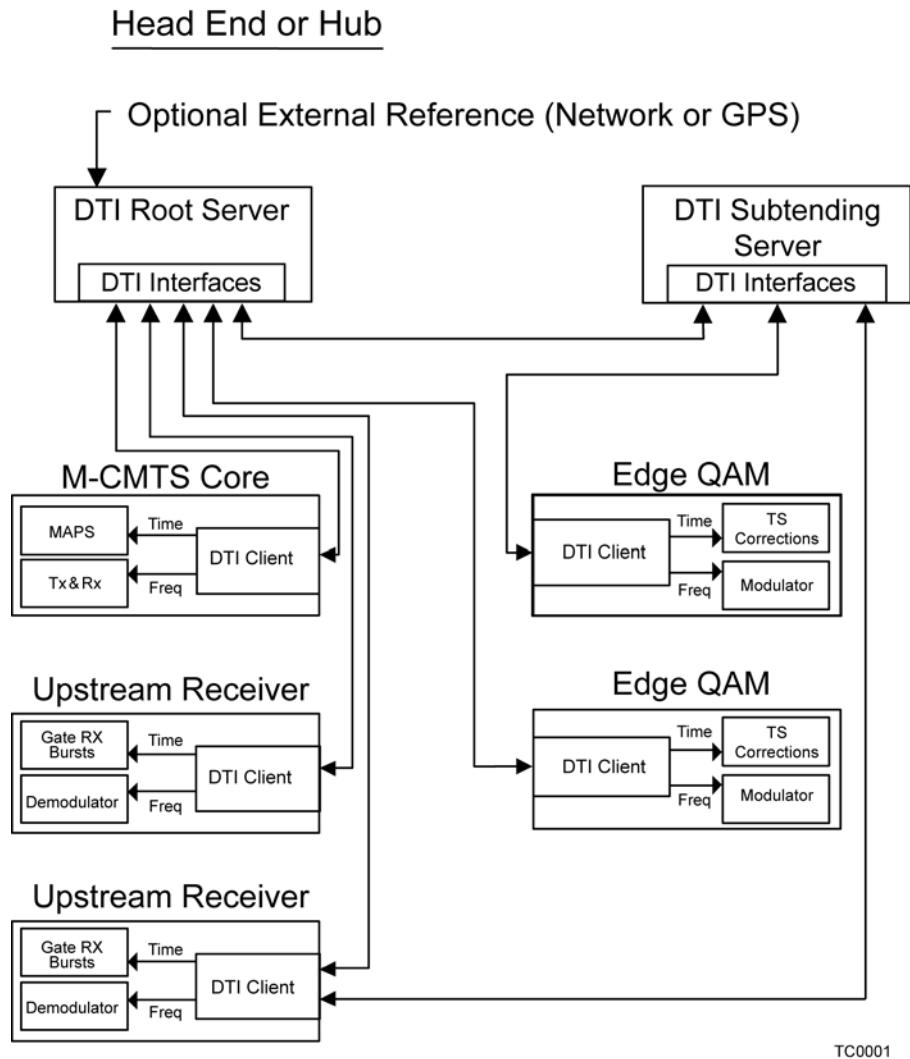
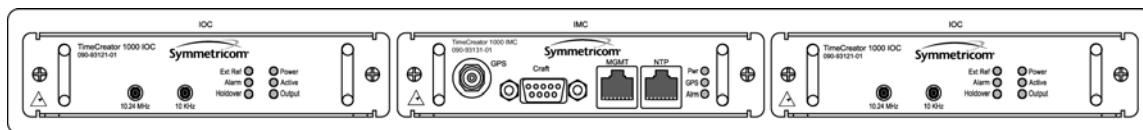


Figure 1-1. DTI Server Hierarchy and M-CMTS Elements

A TimeCreator 1000 in a root server configuration can use either its internal clock as the master frequency for the headend/hub meeting DOCSIS specifications, or it can be configured to use GPS. GPS is required for Business Services over DOCSIS (BSoD), which allows you to deliver T1, E1, and NxDSO emulation services. GPS is also required for Network Time Protocol (NTP), common time between headends/hub, and other applications. NTP, the user-specified time, and the IMC's real-time clock (RTC) can also be used as a basis for the DOCSIS timestamp to provide system TOD for operation in free-run mode only.

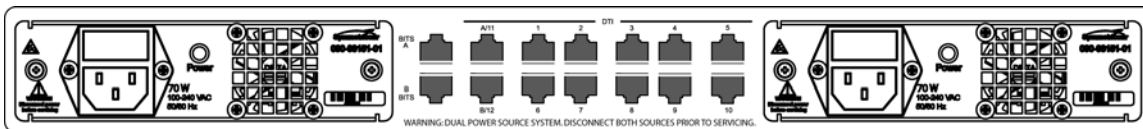
The TimeCreator 1000 features include:

- 10+2 DTI Ports
  - 10 standard DTI Client Connections
  - 2 dual mode DTI Connections for use as a standard DTI Client Connection or input from a Root DTI Server/Carrier-Class Performance
- Optional High Reliability Redundant Operation
- SNMP, SSH, and CLI Management
- DTI Client Health Monitoring
- NTP Server Option
- TOD and BSoD Support (requires GPS input)
- Compact 1RU Design
- AC and DC Power Options
- Subtending of up to Twelve DTI Servers
- DTI Server Configurable with Dual Path Protection and 24 Hour Holdover
- Software Upgradeable



TC0002

Figure 1-2. TimeCreator 1000 Front View



TC0003

Figure 1-3. TimeCreator 1000 Rear View

## Shelf

The TimeCreator 1000 shelf requires a minimum of three plug-in modules to operate:

- Power Supply module
- Input/Output/Clock (IOC) module
- Information Management Card (IMC) module.

It is recommended that a second Power Supply module and IOC are added to the configuration for redundant operation. Since the TimeCreator 1000 provides the Master DOCSIS Clock and Timestamp for the entire Headend or Hub site, it is designed to provide high reliability through redundancy, although redundancy is not required. The flexibility of configuration and therefore cost enables various deployment scenarios for root, slave, and protected architectures.

## Input Signals

The TimeCreator 1000 can use either GPS or DTI signals as external input references to acquire the system's frequency, DTI timestamp, and TOD alignment. NTP and the user-specified time from the IMC's real-time clock (RTC) can also provide system TOD with much less accuracy. Only GPS can provide a common timestamp across the network for a distributed M-CMTS deployment. It is suggested that all root TimeCreator 1000 servers be configured with GPS. Upgrading any DTI Server from a user time or NTP time to GPS for BSoD or distributed M-CMTS architectures will require resetting the DOCSIS Timestamp and thus re-range all cable modems. The GPS input connects to the TNC connector on the IMC and the DTI input from a root DTI Server connects to the rear panel port A and port B RJ-45 connectors (labeled A/11 and B/12). NTP runs on the IMC's management Ethernet port.



**Note:** When ports A/11 and B/12 are provisioned as outputs, they are referenced as Ports 11 and 12.

---

### DTI Input Priority Level

You can assign a priority level to each DTI input and the value determines which input is used as the system reference. The range is 1 to 5 and the lower the priority level, the higher the priority. Use the Set Interface Priority command to provision these parameters.

### Setting the Input Reference Switching Mode

The DTI reference selection at ports A and B can be provisioned as either revertive or non-revertive. In the revertive mode, if an input used as the system reference is disqualified (for any reason), the reference switches to the next-highest input and reverts to the initial input when that input is re-qualified. In this mode, the reference switches two times: once when the disqualifying event occurs, and again when the

initial input is re-qualified. In the non-revertive mode, the system reference switches to the next-highest input but does not revert to the initial input when the initial input is re-qualified. The system reference switches only once when the disqualifying event occurs. Revertive mode is used when the port priorities are different and non-revertive mode is used when the priorities are the same.

## Output Signals

The TimeCreator 1000 passes frequency and TOD output through rear panel DTI links. Ports 1 through 10 are permanent output ports and ports A/11 and B/12 can be provisioned as either outputs or inputs.



**Note:** When ports A/11 and B/12 are provisioned as inputs, they are referenced as ports A and B.

---

## Communications Ports

The EIA-232 serial and Ethernet connections are located on the IMC. The EIA-232 serial and Ethernet connections allow you to provision the system from a terminal or computer running a terminal emulation application.

### Local Craft Serial Port

The EIA-232 port supports local control; you can configure the TimeCreator 1000 with commands using a terminal or personal computer (PC) with terminal emulation software. The connector is located on the IMC. The Local port is configured as a DCE interface and the default specifications are as follows:

- 8 data bits
- 1 stop bit
- no parity
- 57600 baud rate
- Flow Control: None

### Ethernet

An Ethernet connector provides connectivity to an Ethernet local area network and each port can be assigned a unique internet protocol (IP) address. Once the IP address is set and a connection is made to a local area network (LAN), you can access the TimeCreator 1000 on an intranet. The Ethernet port supports two simultaneous connections to port 5000.

## Clock Design

The TimeCreator 1000 clock design includes a highly stable ovenized Quartz crystal to produce accurate synchronization outputs. In a dual-IOC configuration, the clock function is redundant to provide protection. Each IOC qualifies the input signal and filters jitter and wander noise elements that may exist. In the event that all input references are lost or disqualified, the unit goes into holdover mode with the oscillator providing the system reference.

The IOC meets Type III performance.

## Operating Modes

The TimeCreator 1000 has the following operating modes:

- **Warm-up** – The period immediately following power-up that allows local oscillator stabilization required for stable frequency generation from the system.
- **Free-run** – This operating mode allows the system to generate a DTI output that has stable generation of frequency and TOD when the system has no external frequency reference (GPS or DTI). TOD can be from NTP, a user-specified time, or from the IMC's real-time clock.
- **Fast-Lock (Acquire)** – In this mode the system quickly locks the local oscillator frequency to another frequency source (GPS or DTI reference) to establish the system's frequency and TOD.
- **Normal (Locked)** – In this operating mode, the system's output frequency and TOD are tracking the reference frequency (GPS or DTI) and TOD within the DTI specified requirements.
- **Bridging** – If all input references are lost, the TimeCreator 1000 goes into bridging mode. In this mode, the outputs continue to provide accurate timing for a limited period. If the system qualifies the reference prior to the end of the bridging time, the system re-enters Normal operation mode. If the inputs are not re-qualified before the bridging time has elapsed, the TimeCreator 1000 enters holdover mode.
- **Holdover** – If the reference signal is lost, the clock enters holdover mode. The accuracy of the TimeCreator 1000 output is then dependent on the quality level of the oscillator.
- **Frequency Mode** – In this operating mode, the system's frequency is tracking the reference frequency (GPS). In this mode, a user can add a GPS reference to the TimeCreator 1000 and use the frequency from GPS to meet BSoD specifications without re-setting the DOCSIS Timestamp and causing a re-ranging of the cable modems.



**Note:** In Frequency Mode, DTI output and IMC GPS are not in sync.

---



# Performance Monitoring

---

## DTI Client Monitoring

DTI client status log files provide information on client status, phase error, version, oscillator type, and the server's cable advance flag and cable advance value.

## Phase Measurements

TheTimeCreator 1000 measures phase data. Peak to peak jitter and MTIE results are calculated for the user. Frame error rate (FER) is also calculated and made available to the user. It is calculated over a 10-second window.

## MTIE Calculations

MTIE is a measure of the relative noisiness of a signal that relates to frequency offsets and phase transients. The TimeCreator 1000 automatically calculates MTIE for each enabled input from the most recent 1000 seconds. From this calculation, you can retrieve MTIE values for 35-second and user-configurable windows. You can set an alarm threshold for each of these windows; if the MTIE value exceeds this threshold and the alarm is enabled, the TimeCreator 1000 generates an alarm.

# Physical Description

---

The TimeCreator 1000 consists of a 19-inch (48 cm) rack mount shelf, plug-in modules, AC power supply cables and *optional* GPS cables, and hardware.



---

**Note:** 23-inch (58.42 cm) rack mounting brackets are also available as a separately ordered item.

---

The front of the TimeCreator 1000 has two IOC module slots and one IMC module slot. The rear has two power supply slots, twelve DTI link connectors and two BITS connectors (see [Figure 1-4](#)). The minimum configuration is one Power module, one IOC module, and an IMC module. The second IOC and Power module slots are available for redundancy.



---

**Note:** The BITS connectors are not functional in this release.

---

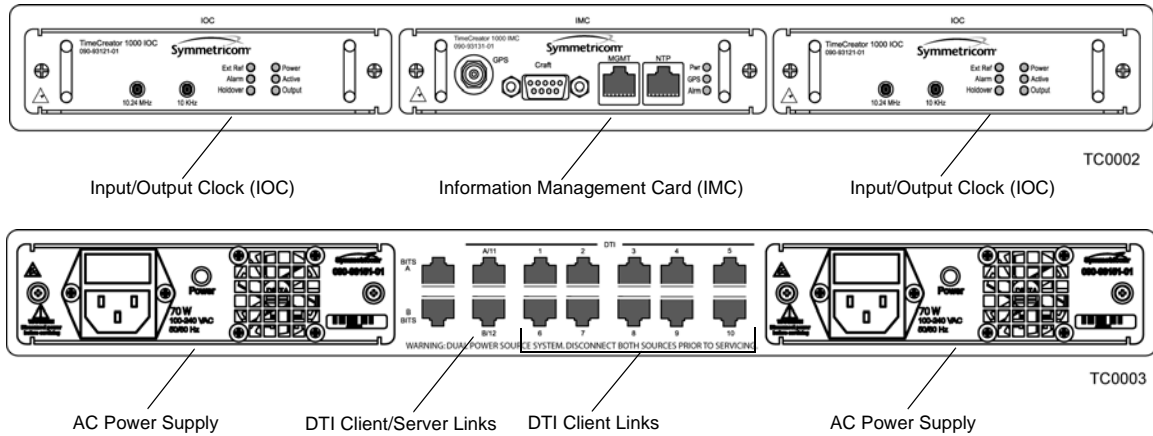


Figure 1-4. TimeCreator 1000 Modules and DTI Links

## Functional Description

The TimeCreator 1000 accepts one GPS input and two DTI inputs for system reference and it allows you to provision the DTI input reference priority. When a GPS or DTI reference is qualified as the system reference, the server uses the qualified reference to acquire the system’s frequency, DTI timestamp, and TOD alignment.

The TimeCreator 1000 rear panel has ten DTI client links and two client/server links. Client links connect to an M-CMTS Core, Upstream receiver, Edge QAM, or DTI server. Server links allow a subtending server to receive time and frequency signals from a DTI root server. There are also two T1/E1 BITS frequency inputs.



**Note:** The BITS connectors are not functional in this release.

Figure 1-5 is a block diagram of the TimeCreator 1000, Figure 1-6 is a block diagram of the IMC card, and Figure 1-7 is a block diagram of the IOC card.

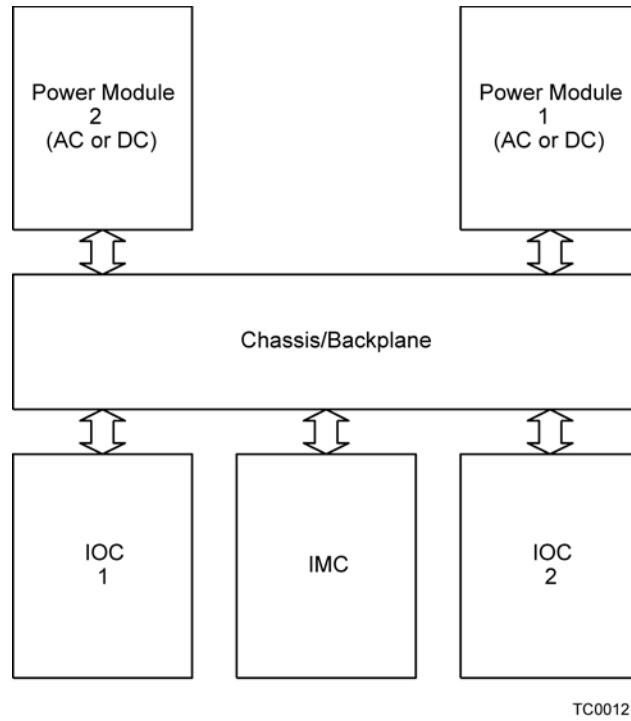


Figure 1-5. TimeCreator 1000 Block Diagram

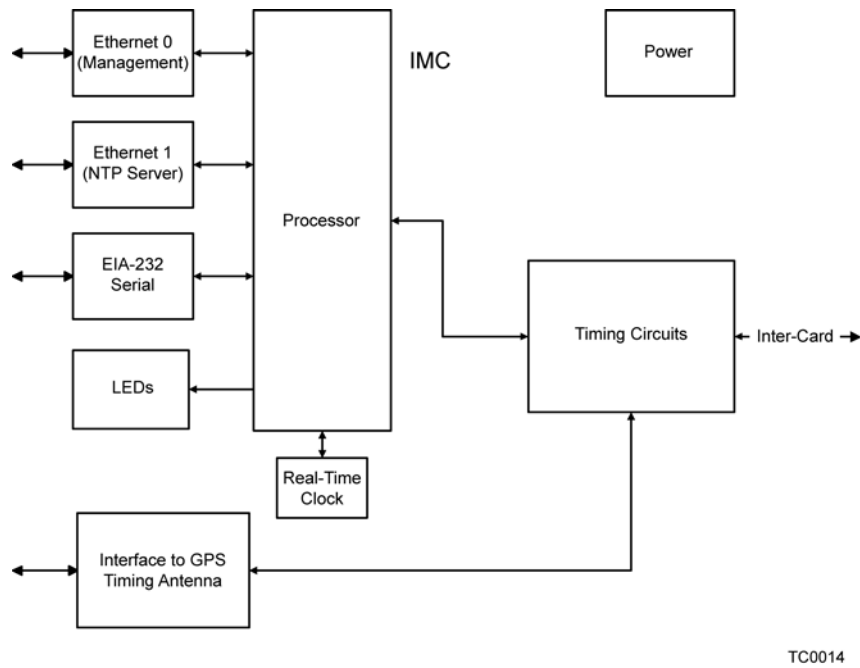


Figure 1-6. IMC Module Block Diagram

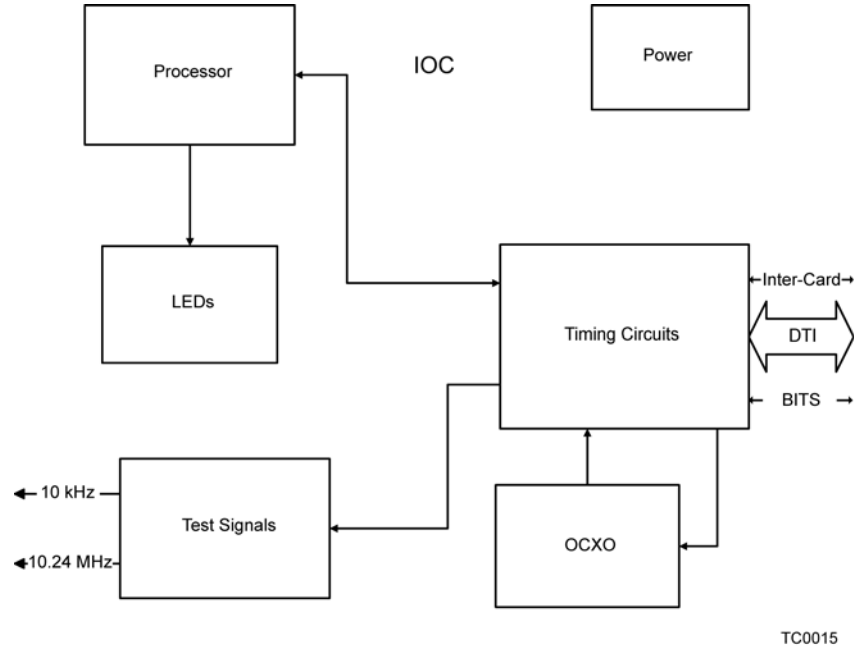


Figure 1-7. IOC Module Block Diagram

## IOC Module

The IOC module has LED status indicators and test outputs for the system. The LEDs indicate:

- Power Status
- Active Status
- Output Status
- External Reference Status
- Alarm Status
- Holdover Status

The test output connectors provide a 10.24 MHz master clock signal and a 10 kHz DTI frame clock signal.

## IMC Module

Connectors for Ethernet management, NTP time server, EIA-232 serial, and the Two-Way GPS Timing Antenna connections are located on the IMC module. The IMC's LEDs indicate the following:

- Power Status
- Alarm Status
- GPS Signal Status

## Power Module

The TimeCreator 1000 allows either –48 V DC power connection, or 120/220 V AC power connection depending on the type of module used. The LED indicates power status.

## Rear Panel Connectors

The TimeCreator 1000 rear panel connections are RJ-45 connectors. There are ten permanent DTI client connectors and two DTI client/server connectors that can be provisioned as either client or server links. This allows the TimeCreator 1000 to support up to 12 DTI client links, or when provisioned as a subtending server to receive two time and frequency references. There are also two BITS connectors.

Each DTI link connection has associated LEDs that indicate connection status.



**Note:** The BITS connectors are not functional in this release.

---

## Communication Ports

---

Communications ports on the IMC allow you to provision, monitor, and troubleshoot the shelf. You communicate with the TimeCreator 1000 using either CLI or SNMP protocols.

### Local Craft Serial Port

The EIA-232 port supports local control; you can configure the TimeCreator 1000 with CLI commands using a terminal or personal computer (PC) with terminal emulation software. The connector is located on the IMC. The Local port is configured as a DCE interface and the default settings are as follows:

- Baud = 57.6K
- Word Length = 8 bits
- Parity = None
- Stop bits = 1
- Software Handshaking, Xon/Xoff

## Management Ethernet Port

The Management Ethernet connector provides connectivity to an Ethernet local area network. Each Ethernet port has a unique internet protocol (IP) address and once the IP address is set and a connection is made to a LAN, you can access the TimeCreator 1000.

## NTP Server Ethernet Port

The NTP server port serves the TimeCreator 1000's system time to external NTP clients. The default source for the NTP timestamp is GPS, but if GPS is not configured, the NTP timestamp is the same as the DOCSIS timestamp. This Ethernet port is configured separately from the management port.

## Outputs

---

The DTI link connectors use a single pair for transmission in both directions. The server and client alternate data transmission therefore eliminating the need for a crossover connection. The DTI server output is a Manchester encoded frame with an underlying bit-rate of 5.12 Mbps locked to the DTI Master Clock. You can enable or disable each output individually through user commands (see the command [Set Interface](#), on page 129). The TimeCreator 1000 automatically calibrates each DTI Output when a DTI Client is connected eliminating the need to manually compensate for cable lengths. The maximum cable length is 656 Ft. (200 m).

The TimeCreator 1000 provides a 10.24 MHz master clock signal and a 10 kHz frame clock on the front panel.

## Reference Inputs and TOD Sources

---

The TimeCreator 1000 can use either GPS or DTI signals as external input references to acquire the system's frequency, DTI timestamp, and TOD alignment. The GPS reference signal input connects to a TNC connector on the IMC module and the DTI reference signal input is connected to RJ-45 connectors labeled A/11 and B/12 on the rear panel. The Set Interface Priority user command allows you to set priority levels for the two DTI reference signals (see the command [Set Interface](#), on page 129).



**Note:** When ports A/11 and B/12 are provisioned as outputs, they are referenced as ports 11 and 12.

---

NTP, the user-specified time, and the IMC's real-time clock (RTC) provide system TOD for operation in free-run mode only. The default settings provision the TimeCreator 1000 to operate in free-run mode only.



**Note:** The BITS input connectors are not functional in this release.

---

## Alarms

---

The TimeCreator 1000 uses alarms to notify you when certain conditions are deteriorating below user-specified levels. These alarms are indicated by module status LEDs and by SNMP traps. You can provision the alarm to either be enabled or disabled and the current alarm state can be obtained via the communication ports. For more information, see [Provisioning Alarms](#), on page 80 and [Appendix A, Alarms Events and System Messages](#).





# Chapter 2 Engineering and Ordering Procedures

This chapter describes the items available for the TimeCreator 1000, and lists the part number for each item.

## In This Chapter

- [Overview](#)
- [TimeCreator 1000 Part Numbers](#)
- [User-Supplied Tools and Materials](#)

## Overview

---

The TimeCreator 1000 can operate in either a basic configuration, or in a redundant configuration in one shelf. Basic configuration consists of the following components:

- 1 Shelf
- 1 IMC module
- 1 AC or DC power module
- 1 IOC module



**Note:** When operating in basic configuration, blank panels are available to cover the vacant module slots in the shelf.

---

Redundant configuration consists of the following components:

- 1 Shelf
- 1 IMC module
- 2 AC or DC power modules
- 2 IOC modules

## TimeCreator 1000 Part Numbers

---

### System Configurations

This section provides part numbers and descriptions for the various system configurations and parts available for the TimeCreator 1000. [Table 2-1](#) provides a list of common configurations and [Table 2-2](#) lists the shelf component and accessory part numbers.

*Table 2-1. Common Configurations*

| System Configuration   | Part Number  |
|--|--------------|
| TimeCreator 1000 No Redundancy With NA AC Power - see <a href="#">Table 2-4</a>          | 990-93101-01 |
| Basic Slave - NA AC Power (1 SH, 1 IMC, 2 IOC, 2 AC) - see <a href="#">Table 2-5</a>     | 990-93105-01 |
| Basic Slave - DC Power (1 SH, 1 IMC, 2 IOC, 2 DC) - see <a href="#">Table 2-6</a>        | 990-93106-01 |
| Basic Root - NA AC Power (1 SH, 1 IMC, 2 IOC, 2 AC, GPS) - see <a href="#">Table 2-7</a> | 990-93107-01 |
| Basic Root - DC power (1 SH, 1 IMC, 2 IOC, 2 DC, GPS) - see <a href="#">Table 2-8</a>    | 990-93108-01 |

Table 2-1. Common Configurations (Continued)

| System Configuration   | Part Number  |
|--|--------------|
| Enhanced Root - NA AC Power (1 SH, 1 IMC, 2 IOC, 2 AC, GPS, NTP) - see <a href="#">Table 2-9</a> | 990-93109-01 |
| Enhanced Root - DC power (1 SH, 1 IMC, 2 IOC, 2 DC, GPS, NTP) - see <a href="#">Table 2-10</a>   | 990-93110-01 |

Table 2-2. Component Part Numbers

| Item                          | Part Number  |
|-------------------------------|--------------|
| Shelf                         | 090-93100-01 |
| IOC Module                    | 090-93121-01 |
| IMC Module                    | 090-93131-01 |
| DC Power Module               | 090-93141-01 |
| AC Power Module               | 090-93151-01 |
| IOC Module Slot Blank Panel   | 090-93122-01 |
| Power Module Slot Blank Panel | 090-93142-01 |

## Two-Way GPS Antenna

[Table 2-3](#) lists the parts available for the GPS antenna.

Table 2-3. GPS Parts and Accessories

| Part Number               | Description                  |
|---------------------------|------------------------------|
| 990-93500-01 <sup>1</sup> | Two Way Antenna Kit          |
| 090-58545-01              | Two Way GPS Antenna (spare)  |
| 043-00018-01              | Lightning suppressor (spare) |
| 060-58545-01              | RG-58 cable, 3 m (10 ft.)    |
| 060-58545-02              | RG-58 cable, 6 m (20 ft.)    |
| 060-58545-05              | RG-58 cable, 15 m (50 ft.)   |
| 060-58545-10              | RG-58 cable, 30 m (100 ft.)  |
| 060-58545-20              | RG-58 cable, 60 m (200 ft.)  |
| 060-58545-30              | RG-58 cable, 90 m (300 ft.)  |

Table 2-3. GPS Parts and Accessories (Continued)

| Part Number  | Description                    |
|--------------|--------------------------------|
| 060-58545-50 | RG-58 cable, 150 m (500 ft.)   |
| 154-00023-01 | Crimp tool for RG-58 cable     |
| 093-72010-98 | TNC connectors for RG-58 cable |

**Note:**

- <sup>1</sup> Kit includes GPS antenna, mounting hardware, and lightning suppressor. Order antenna cables separately

## Common Configuration Parts Lists

The following tables list the items shipped with each common system configuration. In addition, [Table 2-11](#) provides a list of items shipped with the GPS Antenna Kit, and [Table 2-12](#) provides the NTP option license part number.

Table 2-4. TimeCreator 1000 No Redundancy - NA AC Power - P/N 990-93101-01

| Item  | Part Number  | Quantity |
|---|--------------|----------|
| TimeCreator 1000 Shelf (SH)                       | 090-93100-01 | 1        |
| TimeCreator 1000 IOC card (IOC)                   | 090-93121-01 | 1        |
| TimeCreator 1000 IMC card (IMC)                   | 090-93131-01 | 1        |
| TimeCreator 1000 AC power card (AC)               | 090-93151-01 | 1        |
| TimeCreator 1000 Blank Panel for power slot (BPP) | 090-93142-01 | 1        |
| TimeCreator 1000 Blank panel for IOC slot (BPI)   | 090-93122-01 | 1        |
| NA AC power connector cable                       | 160-00004-02 | 1        |
| CD Manuals  | 998-93101-01 | 1        |

Table 2-5. Basic Slave - NA AC Power - P/N 990-93105-01

| Item                            | Part Number  | Quantity |
|---------------------------------|--------------|----------|
| TimeCreator 1000 Shelf (SH)     | 090-93100-01 | 1        |
| TimeCreator 1000 IOC card (IOC) | 090-93121-01 | 2        |
| TimeCreator 1000 IMC card (IMC) | 090-93131-01 | 1        |

Table 2-5. Basic Slave - NA AC Power - P/N 990-93105-01 (Continued)

| Item                                | Part Number  | Quantity |
|-------------------------------------|--------------|----------|
| TimeCreator 1000 AC power card (AC) | 090-93151-01 | 2        |
| NA AC power connector cable         | 160-00004-02 | 2        |
| CD Manuals                          | 998-93101-01 | 1        |

Table 2-6. Basic Slave - DC Power - P/N 990-93106-01

| Item                                | Part Number  | Quantity |
|-------------------------------------|--------------|----------|
| TimeCreator 1000 Shelf (SH)         | 090-93100-01 | 1        |
| TimeCreator 1000 IOC card (IOC)     | 090-93121-01 | 2        |
| TimeCreator 1000 IMC card (IMC)     | 090-93131-01 | 1        |
| TimeCreator 1000 DC power card (DC) | 090-93141-01 | 2        |
| CD Manuals                          | 998-93101-01 | 1        |

Table 2-7. Basic Root - NA AC Power - P/N 990-93107-01

| Item                                      | Part Number  | Quantity |
|---|--------------|----------|
| TimeCreator 1000 Shelf (SH)               | 090-93100-01 | 1        |
| TimeCreator 1000 IOC card (IOC)           | 090-93121-01 | 2        |
| TimeCreator 1000 IMC card (IMC)           | 090-93131-01 | 1        |
| TimeCreator 1000 AC power card (AC)       | 090-93151-01 | 2        |
| 2-way Timing Antenna                      | 090-58545-01 | 1        |
| GPS/volute ant bracket kit                | 093-00001-01 | 1        |
| TimeProvider/TimeCreator GPS hardware kit | 093-58545-01 | 1        |
| IF antenna mounting kit                   | 093-72010-71 | 1        |
| AC power connector cable                  | 160-00004-02 | 2        |
| CD Manuals                                | 998-93101-01 | 1        |

Table 2-8. Basic Root - DC power - P/N 990-93108-01

| Item                                      | Part Number  | Quantity |
|---|--------------|----------|
| TimeCreator 1000 Shelf (SH)               | 090-93100-01 | 1        |
| TimeCreator 1000 IOC card (IOC)           | 090-93121-01 | 2        |
| TimeCreator 1000 IMC card (IMC)           | 090-93131-01 | 1        |
| TimeCreator 1000 DC power card (DC)       | 090-93141-01 | 2        |
| 2-way Timing Antenna                      | 090-58545-01 | 1        |
| GPS/volute ant bracket kit                | 093-00001-01 | 1        |
| TimeProvider/TimeCreator GPS hardware kit | 093-58545-01 | 1        |
| IF antenna mounting kit                   | 093-72010-71 | 1        |
| CD Manuals                                | 998-93101-01 | 1        |

Table 2-9. Enhanced Root - NA AC Power - P/N 990-93109-01

| Item                                      | Part Number  | Quantity |
|---|--------------|----------|
| TimeCreator 1000 Shelf (SH)               | 090-93100-01 | 1        |
| TimeCreator 1000 IOC card (IOC)           | 090-93121-01 | 2        |
| TimeCreator 1000 IMC card (IMC)           | 090-93131-01 | 1        |
| TimeCreator 1000 AC power card (AC)       | 090-93151-01 | 2        |
| License Certificate                       | 920-93200-01 | 1        |
| 2-way Timing Antenna                      | 090-58545-01 | 1        |
| GPS/volute ant bracket kit                | 093-00001-01 | 1        |
| TimeProvider/TimeCreator GPS hardware kit | 093-58545-01 | 1        |
| IF antenna mounting kit                   | 093-72010-71 | 1        |
| NA AC power connector cable               | 160-00004-02 | 2        |
| CD Manuals                                | 998-93101-01 | 1        |

Table 2-10. Enhanced Root - DC power - P/N 990-93110-01

| Item                                      | Part Number  | Quantity |
|---|--------------|----------|
| TimeCreator 1000 Shelf (SH)               | 090-93100-01 | 1        |
| TimeCreator 1000 IOC card (IOC)           | 090-93121-01 | 2        |
| TimeCreator 1000 IMC card (IMC)           | 090-93131-01 | 1        |
| TimeCreator 1000 DC power card (DC)       | 090-93141-01 | 2        |
| License Certificate                       | 920-93200-01 | 1        |
| 2-way Timing Antenna                      | 090-58545-01 | 1        |
| GPS/volute ant bracket kit                | 093-00001-01 | 1        |
| TimeProvider/TimeCreator GPS hardware kit | 093-58545-01 | 1        |
| IF antenna mounting kit                   | 093-72010-71 | 1        |
| NA AC power connector cable               | 160-00004-02 | 2        |
| CD Manuals                                | 998-93101-01 | 1        |

Table 2-11. GPS Antenna Kit - P/N 990-93500-01

| Item                                      | Part Number  | Quantity |
|---|--------------|----------|
| 2-way Timing Antenna                      | 090-58545-01 | 1        |
| GPS/volute ant bracket kit                | 093-00001-01 | 1        |
| TimeProvider/TimeCreator GPS hardware kit | 093-58545-01 | 1        |
| IF antenna mounting kit                   | 093-72010-71 | 1        |

Table 2-12. NTP option - P/N 990-93200-01

| Item                | Part Number  | Quantity |
|---------------------|--------------|----------|
| License Certificate | 920-93200-01 | 1        |

## User-Supplied Tools and Materials

---

You need to supply the following tools and materials for installing and testing the TimeCreator 1000.

- Phillips-head screwdriver to install the TimeCreator 1000 shelf in a rack
- ESD wrist strap for installing modules
- Digital multimeter (Fluke 77 or equivalent) for verifying power connections to the shelf
- Laptop computer with communications software (e.g., Windows Hyperterminal, ProComm Plus) for setting system parameters

These standard tools and materials are not supplied, but may be required for installing the GPS antenna and the Two-Way Antenna Interface:

- Standard tool kit
- Fasteners for mounting the equipment in rack
- PVC glue



## Chapter 3 Installing the TimeCreator 1000

This chapter describes the procedures for installing the TimeCreator 1000.

### In This Chapter

- [Getting Started](#)
- [Unpacking the Unit](#)
- [Rack Mounting the Shelf](#)
- [Working With Modules](#)
- [Making Signal Connections](#)
- [Making Ground and Power Connections](#)
- [Installation Check List](#)
- [Applying Power to the TimeCreator 1000](#)

## Getting Started

---

Before you begin to install the TimeCreator 1000, review the information in this section.

If you encounter any difficulties during the installation process, contact Symmetricom Global Services (SGS). See [Obtaining Technical Assistance](#), on page 93 for telephone numbers. SGS includes Product Technical Support for technical information, and Customer Service for information about your order, RMAs, and other information.

### Site Survey

Before you begin installation, determine the shelf location, ensure the appropriate power source is available (–48 V DC or 120/220 V AC depending on power module type), and ensure that the equipment rack is properly grounded.

The TimeCreator 1000 is designed to mount in a 19-inch (48 cm) rack, occupies 1.75 in (4.5 cm, 1 RU) of vertical rack space, and has a depth of 20 in (50.8 cm).



**Note:** 23-inch (58.42 cm) rack mounting brackets are also available as a separately ordered item.

---

### Environmental Requirements

To prevent the unit from malfunctioning or interfering with other equipment, install and operate the unit according to the following guidelines:

- Operating temperature: 32° F to 104° F (0° C to 40°C)
- Operating Humidity: 10% to 90% RH non-condensing
- Use only shielded cable for all signal wiring, including I/O, clocks and Ethernet. Ground appropriately at both ends, or as required by local standards.
- Secure all cable screws to their corresponding connectors.



**Caution:** To avoid interference, you must consider the electromagnetic compatibility (EMC) of nearby equipment when you install the TimeCreator 1000.

Electromagnetic interference can adversely affect the operation of nearby equipment.

---

## Installation Tools and Equipment

You will need the following tools and equipment to install the TimeCreator 1000:

- Standard tool kit
- Cable ties, waxed string or acceptable cable clamps
- No. 18 AWG (minimum) wire at 300volt insulation for –48 V DC
- No. 12 AWG wire to connect grounding lug to permanent earth ground
- Signal wiring (including DTI Links, GPS, and Ethernet) uses shielded cabling of the appropriate impedance required by the specific signal type
- Mating connectors for terminating signal wiring
- Fasteners for mounting the equipment in rack
- Digital Voltmeter (DVM)

## Unpacking the Unit

---

The TimeCreator 1000 is packaged to protect it from normal shock, vibration and handling damage.



**Caution:** To avoid electrostatic discharge (ESD) damage to parts that are packaged with the TimeCreator 1000, observe the following procedures.

---

Unpack and inspect the unit as follows:

1. Wear a properly grounded protective wrist strap or other ESD device.
2. Inspect the container for signs of damage. If the container appears to be damaged, notify both the carrier and your Symmetricom distributor. Retain the shipping container and packing material for the carrier to inspect.
3. Open the container, being careful to cut only the packaging tape.
4. Locate and set aside the printed information and paperwork that is included in the container.
5. Remove the unit from the container and place it on an anti-static surface.
6. Locate and set aside small parts which may be packed in the container.
7. Remove the accessories from the container.
8. Remove the anti-static packaging from the unit and accessories.

9. Verify that the model and item number shown on the shipping list agrees with the model and item number on the equipment. The item number can be found on a label affixed to the unit. Contact your Symmetricom distributor if the model or item number do not match.

For a complete listing of item numbers, contact your Symmetricom distributor.

## Rack Mounting the Shelf

---

The installation procedure described in this section provides general guidelines for installing the TimeCreator 1000. Always follow applicable local electrical codes.

Use the following steps to mount the TimeCreator 1000 in a 19- or 23-inch (48 or 58.42 cm) rack.



---

**Note:** The TimeCreator 1000 comes equipped with 19-inch rack mounting brackets. 23-inch rack mounting brackets are available as a separately ordered item.

---

1. If necessary, attach the rack mounting brackets to the shelf using 6-32 x 1/4-inch screws. Ensure that the mounting brackets on both sides are attached at equal distances from the front of the unit (see [Figure 3-1](#)).
2. Mount the shelf to the front of the equipment rack rails with four screws and associated hardware. Use the proper screws for the equipment rack.

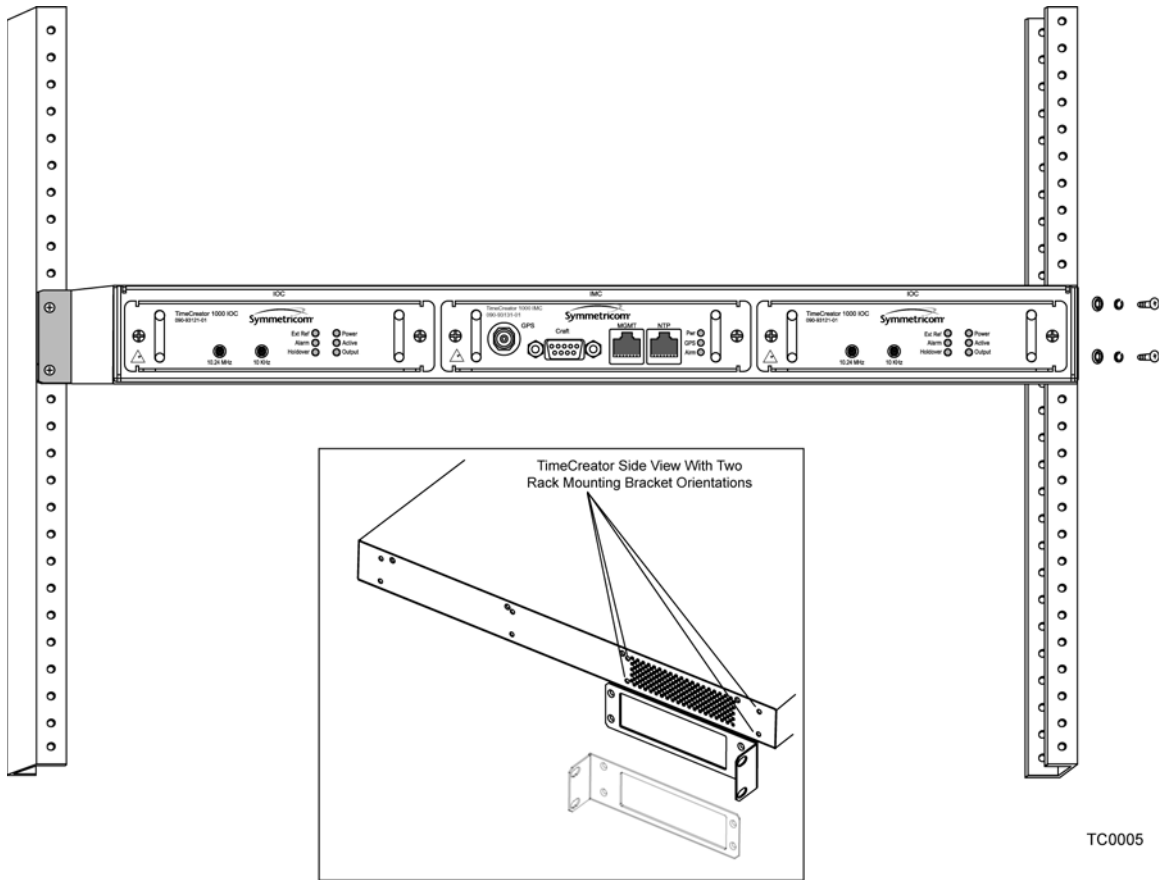


Figure 3-1. Installing the TimeCreator 1000

## Working With Modules

This section describes how to install, remove, and handle the modules associated with the TimeCreator 1000.

### Handling Modules

When handling any of the modules, observe the following precautions:

1. Use proper static control precautions when handling modules! Protect the equipment against ESD (electrostatic discharge) by using a grounded protective wrist strap and normal equipment grounding.
2. Avoid touching component leads and edge connectors.
3. Avoid placing the module on an ungrounded surface.
4. Avoid allowing the module to come in contact with insulated surfaces.

## Inserting Modules

This procedure is common for all modules.



**Caution:** You must disconnect power prior to removing the power module, but all other modules can be removed and inserted while system power is supplied without damaging modules; however, system performance may be affected.

---

Use the following procedure to insert a module into the shelf:

1. Align the module edges within the guides of the selected slot.
2. Slide the module into the chassis and press firmly until it seats fully into its backplane edge connector. Handles on each side of the faceplate are provided for removing and inserting the module.
3. Tighten the captive screws located on each side of the panel.



**Caution:** To avoid possible damage or intermittent failures, ensure that you have completely inserted the module into the chassis and that you have securely tightened the captive screws.

---



**Note:** A Phillips screw driver is required to tighten or loosen the power supply module fasteners.

---

## Removing Modules

To remove a module, loosen the captive screws and then pull out on the handles located on each side of the module. Be sure to place the module on a static-free surface.



**Caution:** You must disconnect power prior to removing the power supply module.

---



**Caution:** You must disconnect the GPS antenna before removing the IMC module or removing ground connection.

---

## Making Signal Connections

The connectors for the GPS input signal, Management and NTP Server Ethernet connections, and EIA-232 serial connection are located on the IMC module. The rear panel has RJ-45 connectors for ten client DTI links, two DTI client/server links, and two T1/E1 BITS frequency links.



**Note:** The T1/E1 BITS links do not function in this release.

## Making Communications Connections

The IMC allows user control of the TimeCreator 1000. The EIA-232 serial port, Ethernet Management port, and NTP server port are located on the IMC as shown in [Figure 3-2](#). See [Working With Modules](#), on page 45 for module installation instructions.

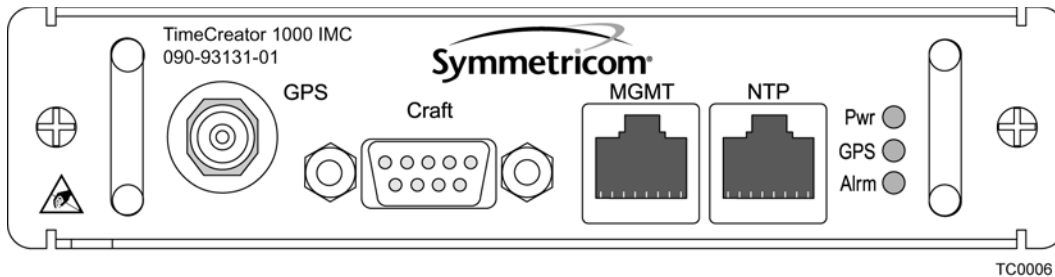


Figure 3-2. IMC Module

### Ethernet Management and NTP Server Ports

The Ethernet Management and NTP server ports are standard 10Base-T/100Base-T shielded RJ-45 receptacles. To connect the TimeCreator 1000 to an Ethernet network, and to connect the NTP server to an NTP client, use shielded twisted pair Ethernet RJ-45 cable.

The connector pinouts are listed in [Table 3-1](#).

Table 3-1. Management and NTP Server Ethernet Connector Pin Assignments

| Signal Name             | Pin |
|-------------------------|-----|
| TX+ (Transmit positive) | 1   |
| TX- (Transmit negative) | 2   |
| RX- (Receive negative)  | 3   |

Table 3-1. Management and NTP Server Ethernet Connector Pin Assignments (Continued)

| Signal Name            | Pin        |
|------------------------|------------|
| RX+ (Receive positive) | 6          |
| Not Used               | 4, 5, 7, 8 |

### EIA-232 Serial (Craft) Port

The EIA-232 serial port connection is made through a DE9S female connector on the IMC. This ports allow you to connect to a terminal or PC using a terminal emulation software package for remote monitoring and control. When connecting to this port, use a shielded EIA-232 direct connect cable with the cable shield connected to pin 1.

Figure 3-3 shows the EIA-232 connector pin assignments for the serial port.

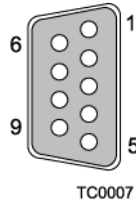


Figure 3-3. Serial Port Connector Pins

Table 3-2 describes the EIA-232 connector pin assignments for the serial port.

Table 3-2. Serial Port Connector Pin Assignments

| Signal                 | Pin |
|------------------------|-----|
| TXD (Received Data)    | 2   |
| RXD (Transmitted Data) | 3   |
| Ground                 | 5   |



## GPS Connections

The TimeCreator 1000 GPS input TNC connector is located on the IMC. To connect a GPS signal, you must install a GPS antenna. For detailed installation instructions, see [Appendix C, Installing the Two-Way GPS Antenna](#). In addition to the installation instructions, this appendix also provides a list of the standard tools you will need and a list of available parts. See [Working With Modules](#), on page 45 for module installation instructions.



**Caution:** The GPS cable should only be connected while the unit is properly grounded.

## Input and Output Connections

The DTI link and BITS connections are RJ-45 connectors located on the rear panel (see [Figure 3-4](#)).



**Note:** The BITS connectors are not functional in this release.

### DTI Connectors

The DTI server and client connections are shielded RJ-45 receptacles on the rear panel and they are standard 10Base-T/100Base-T connectors. The client connectors are ports 1 through 10 and additionally ports 11 and 12 if these two ports are provisioned as outputs. The server connectors are ports A and B if these two ports are provisioned as inputs.

To connect a TimeCreator 1000 client to M-CMTS components, install a standard shielded twisted pair RJ-45 cable, CAT5E or better, between the M-CMTS components and the rear panel DTI client connector (port 11 or port 12).

To connect a TimeCreator 1000 root server to a subtending server, install a shielded twisted pair RJ-45 cable, CAT5E or better, from the root server's rear panel DTI connector to the subtending server's server port (port A or port B).

The connector pinouts are listed in [Table 3-3](#).

*Table 3-3. DTI and Root DTI Connector Pin Assignments*

| Signal Name                                       | Pin              |
|---|------------------|
| SIG+ (Positive Side of Transmitted/Received Data) | 1                |
| SIG- (Negative Side of Transmitted/Received Data) | 2                |
| Not Used  | 3, 4, 5, 6, 7, 8 |

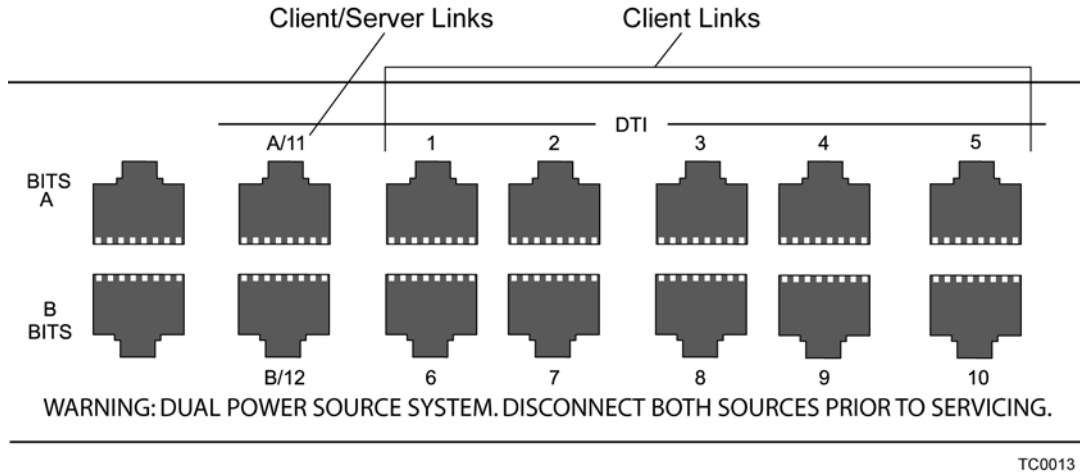


Figure 3-4. Rear Panel DTI Links

## Making Ground and Power Connections

The TimeCreator 1000 has the option of using either 120/220 V AC, or –48 V DC power. For non-redundant operation, install either one AC module or one DC module. For redundant operation, install either two AC modules, two DC modules, or one AC and one DC module (see [Figure 3-6](#)).

### Ground Connections

After installing the TimeCreator 1000 into the rack, connect the shelf to the proper grounding zone or master ground bar. The grounding lug is a screw on the side of the unit, near the back. Using a ring terminal on the 12 AWG wire, connect the ground lug to permanent earth ground



**Recommendation:** Although there are a number of methods for connecting the equipment to earth ground, Symmetricom recommends running a cable of the shortest possible length from the ground lug to earth ground.

### Power Connections

Install the appropriate power module and make the power connections as follows:

#### DC Power

1. Ensure the power source is turned off.
2. Connect the frame ground terminal to earth ground.
3. Locate power terminals on the –48 V DC Power Module.

- Using 16 AWG (minimum) stranded wire, connect primary power to the terminal screws. Symmetricom recommends that you use a #6 spade lug termination for each power lead.



**Warning:** To avoid possible damage to equipment, you must provide power source protective fusing as part of the installation.

---

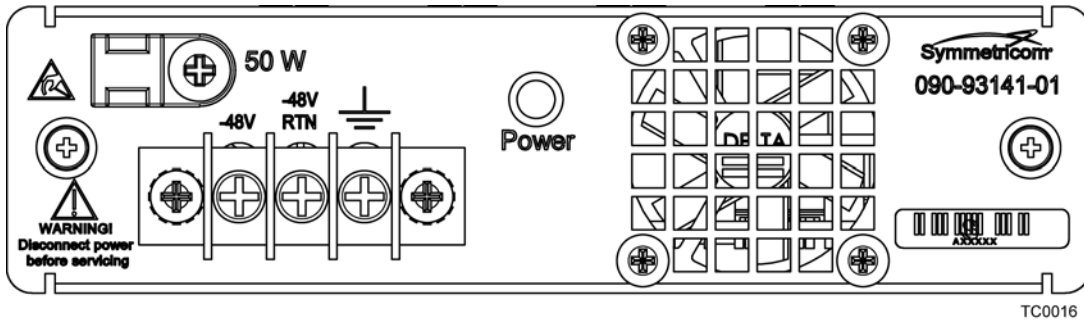


Figure 3-5. TimeCreator 1000 DC Power Module

### AC Power

- Ensure the power source is turned off.
- Connect the power cord to the power connector on the 120V-220V AC Power Module.



**Note:** The AC power socket contains two 2 amp fuses: one in line and one spare.

---

- Connect the power cord to the power source.



**Warning:** To avoid possible damage to equipment, you must provide power source protective fusing as part of the installation.

---

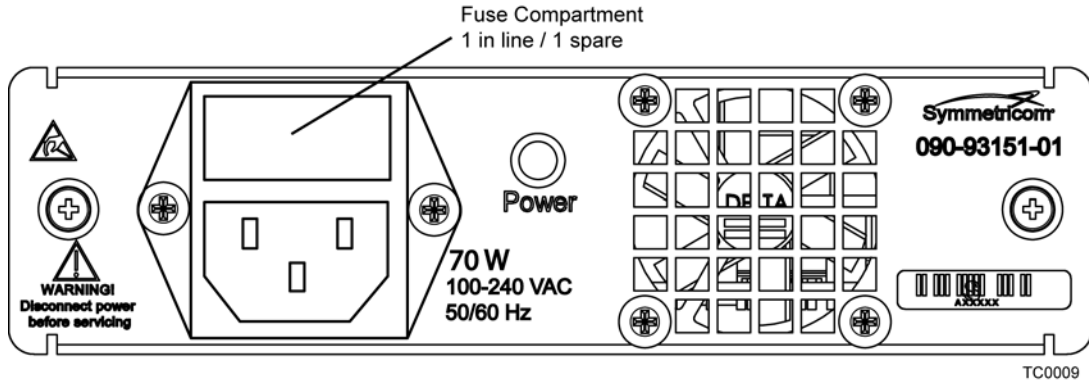


Figure 3-6. TimeCreator 1000 AC Power Module

## Installation Check List

To verify that the installation of the TimeCreator 1000 is complete, perform the checks and procedures in [Table 3-4](#).

Table 3-4. Installation Completeness Checklist

| Operation   | Complete |
|---|----------|
| Ensure the TimeCreator 1000 chassis is securely attached to mounting rack       |          |
| Ensure that the appropriate modules (and filler panels if needed) are installed |          |
| Verify that all power and ground wires are installed correctly and securely     |          |
| Verify that all communications cables are properly installed                    |          |
| Verify that all input and output cables are properly installed                  |          |

## Applying Power to the TimeCreator 1000

The TimeCreator 1000 is not equipped with a Power switch. DC power is controlled by a power distribution panel. AC power is applied when a standard 120 or 220 V AC power cord connected to the 100-240 AC Power module is plugged into the appropriate power outlet.

## Normal Power Up Indications

As the TimeCreator 1000 powers up and begins normal operation, the IOC module and IMC module LEDs all turn on. After the module self-test is complete and the module firmware is operational, the LED states may change to indicate the appropriate state or status.

Table 3-5 provides a description of the module LEDs.

Table 3-5. Module LED Descriptions

| LED                 | Color | Description  |
|---------------------|-------|--|
| <b>Power Module</b> |       |  |
| Status              | Off   | Power input not connected or Power Module Failure  |
|                     | Green | Power Module is functioning properly   |
| <b>IMC Module</b>   |       |  |
| Power               | Off   | Module power fault   |
|                     | Green | Module power is functioning properly   |
| GPS                 | Off   | System is not provisioned to use GPS reference   |
|                     | Amber | GPS input is enabled but GPS input has not been qualified as reference   |
|                     | Green | System is provisioned to use GPS reference and GPS reference is qualified as reference   |
| Alarm               | Off   | There are no alarms being generated by the system  |
|                     | Red   | There are alarms being generated by the system   |
| Ethernet Connection | Off   | No Ethernet link established   |
|                     | Green | Ethernet link established  |
| Ethernet Activity   | Off   | No Ethernet activity   |
|                     | Amber | Blinks with Ethernet activity  |
| <b>IOC Module</b>   |       |  |
| Ext Ref             | Off   | System is not provisioned to use external references   |
|                     | Amber | System is provisioned to use external references, but at least one of the reference inputs has been disqualified from being selected as system reference |
|                     | Green | System is provisioned to use external reference(s) and all reference inputs are qualified as possible system references                                  |

Table 3-5. Module LED Descriptions (Continued)

| LED                                      | Color | Description   |
|--|-------|---|
| Power                                    | Off   | Module power fault  |
|  | Green | Module power is functioning properly  |
| Alarm                                    | Off   | There are no alarms being generated by IOC Module's components, Input, Outputs, Clocks, etc.  |
|  | Red   | There are alarms being generated by IOC Module's components, Input, Outputs, Clocks, etc.   |
| Active                                   | Off   | Module is in Standby Mode   |
|  | Green | Module is in Active Mode, output source   |
| Holdover                                 | Off   | Module is not in Holdover   |
|  | Amber | Module is in Holdover   |
| Output                                   | Off   | DTI output error or port is in standby mode   |
|  | Green | All DTI server ports are operating normally   |
| <b>DTI Links</b>                         |       |   |
| A/11 - B/12 DTI Client State             | Off   | Disabled, or Enabled and qualified as reference input   |
|  | Amber | Enabled and not qualified as reference input  |
| A/11 - B/12 DTI Client Connection Status | Off   | Disabled or not connected to DTI Server   |
|  | Green | Connected to DTI Server   |
| A/11 - B/12 DTI Server State             | Off   | Disabled, or client operating normally  |
|  | Amber | <ol style="list-style-type: none"> <li>Enabled, client indicates Warm-up, Free-run, Holdover, or Acquire states</li> <li>In Test Mode, the DTI Output State LED and DTI Server Port Connectivity Status LED alternate being ON and OFF</li> </ol> |
| A/11 - B/12 DTI Server Connection Status | Off   | Disabled or not connected to DTI client   |
|  | Green | <ol style="list-style-type: none"> <li>Connected to DTI client</li> <li>In Test Mode, the DTI Server Port State LED and DTI Server Port Connectivity Status LED alternate being ON and OFF</li> </ol>   |
| 1 - 10 DTI Server State                  | Off   | Disabled, or client operating normally  |
|  | Amber | <ol style="list-style-type: none"> <li>Enabled, client indicates Warm-up, Free-run, Holdover, or Acquire states</li> <li>In Test Mode, the DTI Output State LED and DTI Server Port Connectivity Status LED alternate being ON and OFF</li> </ol> |

Table 3-5. Module LED Descriptions (Continued)

| LED                                       | Color | Description  |
|---|-------|--|
| 1 - 10<br>DTI Server<br>Connection Status | Off   | Disabled or not connected to DTI client  |
|   | Green | <ol style="list-style-type: none"><li>1. Connected to DTI client</li><li>2. In Test Mode, the DTI Server Port State LED and DTI Server Port Connectivity Status LED alternate being ON and OFF</li></ol> |





# Chapter 4 General Guidelines for using the Symmetricom TimeCreator 1000

This chapter describes

## In This Chapter

- [Clock Operations](#)
- [GPS](#)
- [NTP Client Mode](#)
- [DHCP](#)
- [CLI commands](#)

## Clock Operations

---

For TOD sources of RTC, user, and NTP, the unit initially sets the time from the selected source. The unit then operates in freerun. The unit will not update the time, phase, or frequency.

The user can force an update in the user and NTP modes. In GPS mode, the initial time is set from GPS, and the unit maintains frequency and phase lock to GPS.

When recovering from extended holdover, the frequency is locked to the GPS reference. If the phase error is small, the phase is corrected by slewing. If the phase error is large, an alarm is generated and the user will need to command the phase to be corrected. This prevents unmanaged discontinuities of the DOCSIS time stamp.

Table 4-1. TOD Source Modes

| TOD Source       | Initial Time    | Frequency Lock | Phase Lock  |
|------------------|-----------------|----------------|-------------|
| RTC (Default)    | Real-time clock | Freerun        | Freerun     |
| User             | User            | Freerun        | Freerun     |
| NTP              | NTP             | Freerun        | Freerun     |
| GPS              | GPS             | GPS            | GPS         |
| DTI (subtending) | Root server     | Root server    | Root server |

## GPS

---

Refer to the user manual for proper installation of the GPS antenna. Proper cable, grounding techniques, and lightning arrestors should be used. Mount the antenna outside, preferably on the roof with a clear view of the sky. *Do not* mount the antenna near a wall or other obstruction blocking part of the sky. Mount the antenna well above roads or parking lots.

Allowed at least one hour for the unit to track and lock to GPS.

## NTP Client Mode

---

If the system time is off by more than four hours, then the system mode should be set to user mode and the time set to within four hours. The unit can then be configured to use NTP.

Since the unit only sets the time once, the time could be off by more than 100 ms if this procedure is not followed.

## DHCP

---

This unit's DHCP client will not continually attempt to acquire an IP address if the Ethernet cable is not connected at power up, or when DHCP mode is enabled.

After the cable is connected, enter the following commands to restart DHCP:

```
set ip-state eth0 disable  
  
set ip-state eth0 enable
```

## CLI commands

---



**Note:** The "sync tod-source now" command used in some of the following examples forces the TimeCreator 1000 to immediately start using the new reference for time and frequency. This command is useful in lab tests, but its use should be carefully planned since it may cause cable modems to resync.

---

## Logging In And Out

The default administrator user name is "admin" with password "SymmTC1000"

To logout:

```
Logout
```

## Adding And Deleting Users

Only an administrator-level user can add or delete users.

Additional users can be added with the `set user` command

## Saving The Present Configuration To Non-volatile Memory

```
Set configuration backup
```

## Restoring Default Configuration

To restore factory defaults, while preserving users and IP configuration:

```
Set configuration default
```

To restore factory defaults:

```
Set configuration factory
```

## Determining Status

```
Show alarms (presently active alarms)
```

```
Show status (general status of unit)
```

```
Show gps (GPS information)
```

```
Show inventory
```

## Enabling Outputs

Example for port 5:

```
Set interface state port 5 enable
```

## Setting The Output To Test Mode

Example for port 9:

```
Set interface test-mode port 9 enable
```

## Configuring For Default Mode (Real Time Clock)

```
Set tod-source rtc
```

```
Sync tod-source now
```

## Configuring For User Mode

```
Set tod-source user
```

Example to set the clock in user mode:

```
Set clock date 2006-05-20 time 10:23:00
```

```
Sync tod-source now
```

## Configuring For GPS Mode

```
Set tod-source gps
```

```
Set interface state gps enable
```

(Wait until GPS is available)

```
Sync tod-source now
```

## Configuring For NTP Mode

```
Show clock
```

Example if time is more than 4 hours off:

```
Set tod-source user
Set clock date yyyy-mm-dd time hh:mm:ss

Set tod-source ntp

Set NTP-server add <ip address>

Set service ntpd disable

Set service ntpd enable

Sync tod-source now
```

## Configuring For Subtending Mode

Example for portA (port 11):

```
Set tod-source dti

Set interface type porta client

Set interface state port 11 enable (Previous 2 commands must be
issued first)
```

Example on root server using port 5:

```
Set interface state port 5 enable

Set interface tod-mode verbose
```

## Forcing Unit To Send New Time

If you change the TOD source after the unit has left warm-up, you must enter the following command to change the time and DOCSIS time stamp:

```
Sync tod-source now
```

If you change to GPS, enter the command after the unit is ready; use the `show alarms` command and check for the presence of the “jam sync required” alarm to indicate readiness.

This command should also be entered after you change the time in user mode.

## Setting Manual Cable Advance

Example to set cable advance for port 5 to 0x001023:

```
Set cable-adv port 5 manual 00:10:23
```

## Setting Auto Cable Advance

Example to set cable advance for port 5:

```
Set cable-adv port 5 auto
```

## Configuring Static IP

Example for host ip address of 192.168.5.2, with router gateway at 192.168.5.1:

```
Set ip-state eth0 disable
Set ip-mode eth0 static
Set ip eth0 addr 192.168.5.2
Set ip eth0 mask 24
Set ip eth0 gateway 192.168.5.1
Set ip eth0 broadcast 192.168.5.255
Set ip-state eth0 enable
```

## Configuring Dynamic IP

Ethernet cable should already be connected and DHCP server configured:

```
Set ip-state eth0 disable
Set ip-mode eth0 dhcp
Set ip-state eth0 enable
```

## Switching Active And Standby Cards

Example for IOC 1 presently active, and switching to IOC 2):

```
Set ioc-state ioc2 active
```

# Chapter 5 Provisioning

This chapter describes the procedures for provisioning the TimeCreator 1000. Use the procedures in this chapter after you have installed and powered up the TimeCreator 1000 (see [Chapter 3, Installing the TimeCreator 1000](#)).

## In This Chapter

- [Establishing a Connection to the TimeCreator 1000](#)
- [Managing the User Access List](#)
- [Provisioning Login Authentication](#)
- [Provisioning Services](#)
- [Provisioning the Ethernet Ports](#)
- [Setting the System Date Time and Time Offset](#)
- [Setting the DTI Server Type](#)
- [Provisioning the Input Reference](#)
- [Provisioning the DTI Links](#)
- [Provisioning Revertive and Non-Revertive Mode](#)
- [Provisioning SNMP](#)
- [Provisioning an NTP Server](#)
- [Provisioning Cable Advance](#)
- [Provisioning Alarms](#)
- [Routine Operation Commands](#)
- [Saving and Restoring Provisioning Data](#)

## Establishing a Connection to the TimeCreator 1000

---

To set up and manage the TimeCreator 1000 with a terminal or a computer with terminal emulation, you must establish either a serial connection or an Ethernet connection. To connect through the serial port, see [Communicating Through the Serial Port](#), on page 64. If the TimeCreator 1000 is connected to an Ethernet LAN, use the procedure described in [Communicating Through the Ethernet Port](#), on page 64.



**Note:** Before you can communicate with the TimeCreator 1000 through an Ethernet connection, you must first configure the Ethernet port using the serial connection.

---

### Communicating Through the Serial Port

An EIA-232 serial port is available on the IMC module for a direct serial connection to a terminal or a computer with terminal emulation. Use the following procedure to connect the TimeCreator 1000 to a terminal or a computer with terminal emulation through a null-modem serial cable:



**Note:** For information on restricting user access, see [Managing the User Access List](#), on page 66.

---

1. Connect one end of a null-modem cable to the serial port on the computer or terminal and the other end to the EIA-232 connector on the IMC.
2. Configure the emulation software for 8 data bits, 1 stop bit, no parity, and 57600 baud rate.
3. Start the terminal emulation software and press **Enter**. The system prompt should appear. If it does not, recheck each step in this procedure.

### Communicating Through the Ethernet Port

To communicate with the TimeCreator 1000 using an Ethernet LAN connection, you must first configure the Ethernet port through the EIA-232 serial port.



## Configuring the Ethernet Port

Use the following procedures to configure the TimeCreator 1000 Ethernet parameters (IP Address, Subnet Mask, and Gateway Address).



**Note:** The TimeCreator 1000 default IP address is 10.0.0.100, the subnet mask is 255.255.255.0, and the gateway address is 0.0.0.0. If these defaults are acceptable, the following procedure using the serial port is not required.

1. Establish a direct serial connection to the TimeCreator 1000 as described in [Communicating Through the Serial Port](#), on page 64.
2. Provision the IP, Gateway, and Subnet Mask addresses for the TimeCreator 1000. The IT department or site administrator for your location can recommend specific addresses for these parameters. The mask is specified as a prefix number which is the number of 1's from the MSB with the remaining bits set to 0. For example 255.255.255.0 is set with the value 24. Use the dotted decimal format xxx.xxx.xxx.xxx to enter the address parameter with the following commands:

### Example

```
Type set ip eth0 addr 192.168.0.10, then press Enter.  
Type set ip eth0 gateway 192.168.0.254, then press Enter.  
Type set ip eth0 mask 24, then press Enter.
```

## Connecting Through an Ethernet LAN

1. Ensure that the TimeCreator 1000 is connected to a LAN (see [Making Communications Connections](#), on page 47 for details).
2. Telnet from your PC to the IP address assigned to the TimeCreator 1000 (see [Configuring the Ethernet Port](#), on page 65).
3. Type your user name and press **Enter**. If you are not assigned as a user in the system, contact the system administrator or see [Adding a User](#), on page 67.
4. Type your assigned password and press **Enter**. The system prompt appears.

## Managing the User Access List

---

When you are logged in at the Admin level you can add, edit, or delete user names in the user access list. The user list can contain up to 20 names and users can be set to one of three different security levels described in [Table 5-1](#). Users are required to enter a user name and password to log in to the system. Users can access or modify only the parameter settings allowed by their assigned security level.



**Caution:** To avoid a possible service call, do not lose or misplace the user name and password of the Admin-level user.

---



**Caution:** After three failed login attempts the user account is locked out; this includes the admin user. To avoid a service call, it is recommended that at least two admin-level users be configured.

---

Table 5-1. User Level and Access

| Security Level | Description   |
|----------------|---|
| User           | Users can edit their password and retrieve information, or access any command at the User security level.   |
| Power-User     | Users are allowed to change configuration and issue User-level commands.                                    |
| Admin          | Users are allowed to modify the security database or download new firmware and issue commands at any level. |

Use the procedures in this section to manage user access to the TimeCreator 1000.

### Login

Use the following procedure to log in to the system at the admin level.

1. Ensure that the TimeCreator 1000 is connected to a LAN, or directly connected to a PC through the EIA-232 serial port. See [Making Communications Connections](#), on page 47.
2. If the TimeCreator 1000 is connected to a LAN Telnet from your PC to the assigned IP address.

If the TimeCreator 1000 is connected to a PC directly through the serial port, start a Telnet session and press **Enter**.

3. Type your user name and press **Enter**. The system prompts for a password.
4. Type your password and press **Enter**. The system prompt appears.



**Note:** The unit's default user name is admin and the default password is SymmTC1000. To avoid unauthorized access, you should change the default user name and password.

---

## Adding a User

Use the following procedure to add a user to the system access list.



**Note:**

User passwords can contain numbers, upper and lowercase letters, and the character set ";<=>?@".

For a description of user access levels, see [Managing the User Access List](#), on page 66.

---

1. Login at the Admin level (see [Login](#), on page 66).
2. Type `show user` and press **Enter** to view the current list of users.
3. Type `set user add` and press **Enter**. The system prompts you for a user name.
4. Type a user name and press **Enter**. The name you enter will be the log-in name for the user. The system prompts you for a password.
5. Type a password and press **Enter**. The password you enter will be the log-in password for the user. The system responds with the confirm password prompt.
6. Retype the password and press **Enter**. The system prompts you for an access level.
7. Type the user access level and press **Enter**.
8. Type `show user` and press **Enter** to verify that the account exists (repeat steps 4, 5, and 6 to add other users).

## Deleting A User

Use the following procedure to delete user ABC from the system access list.

1. Login at the Admin level (see [Login](#), on page 66).
2. Type `show user` and press **Enter** to view the current list of users.

3. Type `set user del abc` and press **Enter**.

## Displaying Current Users and User Access Levels

Use the following procedure to retrieve a list of all assigned users and their access levels.

1. Login at the Admin level (see [Login](#), on page 66).
2. Type `show user` and press **Enter**. The system displays the current list of users.

## Changing a User's Password and Access Level

Use the following procedure to change the password and access level.



**Note:**

All users can change their own password with Set User Password command.

User passwords can contain numbers, upper and lowercase letters, and the character set ";<.

For a description of user access levels, see [Managing the User Access List](#), on page 66.

---

1. Login at the Admin level (see [Login](#), on page 66).
2. Type `show user` and press **Enter** to view the current list of users.
3. Type `set user modify <user> password` and press **Enter**. The system prompts you for a password.
4. Type the user's password and press **Enter**. The system responds with the confirm password prompt.
5. Type the user's password again and press **Enter**.
6. Type `set user modify <user> access-level` and press **Enter**. The system prompts you for the new access level.

## Locking Out a User

Use the following procedure to prevent user ABC from logging on to the system.

1. Login at the Admin level (see [Login](#), on page 66).
2. Type `show user` and press **Enter** to view the current list of users.

3. Type `set user lock abc` and press **Enter**.

## Provisioning Login Authentication

---

The authentication scheme used in the TimeCreator 1000 allows you to provision either a RADIUS or TACACS+ server IP address and authentication key(s) for server access. If RADIUS or TACACS+ is enabled, the system allows local login if the server doesn't authenticate the user and the user is configured locally.

To provision the authentication scheme for the local device:

Type `set authentication local` and press **Enter**.

To provision the RADIUS server IP address and the authentication key for server access:

1. Type `set authentication radius server <address>` and press **Enter** (address is the server IP address, for example 192.168.0.10).
2. Type `set authentication radius key <key>` and press **Enter** (key is up to 32 ASCII characters).
3. Type `set authentication radius enable` and press **Enter**.

To provision the TACACS+ server IP address and the authentication key for server access:

1. Type `set authentication tacacs+ server <address>` and press **Enter** (address is the server IP address, for example 192.168.0.10).
2. Type `set authentication tacacs+ key <key>` and press **Enter** (key is up to 32 ASCII characters).
3. Type `set authentication tacacs+ enable` and press **Enter**.

## Provisioning Services

---

Using the Set Service command, you can control the TimeCreator 1000 services (see [Set Service](#), on page 148). This command allows you to enable or disable the following services:

- EIA-232
- Telnet
- SSH

- NTP
- SNMP

#### *Example*

To enable NTP, enter the following command:

Type `set service ntp enable` and press **Enter**.

## Provisioning the Ethernet Ports

---

The TimeCreator 1000 supports static IP addresses as well as dynamically allocated addresses on the MGMT (Management) port and NTP port. The dynamically allocated address requires a connection to a DHCP server. When provisioning the unit for static IP address, you can set the Host address, Mask address, and Gateway address, or you can set the addresses to the factory default. See [Appendix D, Specifications and Factory Defaults](#) for default IP addresses.

### Static IP Mode

Use the following procedure to configure the TimeCreator 1000 IP parameters (Host Address, Subnet Mask, and Gateway Address) on the MGMT port. Use the dot-decimal notation format xxx.xxx.xxx.xxx to enter the address parameter.

#### *Example*

1. Login at the Admin or Power-User level (see [Login](#), on page 66).
2. Type `set ip-mode eth0 mode static` and press **Enter**.
3. Type `set ip eth0 addr 192.168.0.10` and press **Enter**.
4. Type `set ip eth0 mask 24` and press **Enter**.
5. Type `set ip eth0 gateway 192.168.0.1` and press **Enter**.
6. Type `set ip-state eth0 restart` and press **Enter**.

### DHCP Mode

You can either enable or disable DHCP mode on the MGMT port or NTP port. Use the following procedure to configure the TimeCreator 1000 to enable DHCP on the MGMT port.

### Example

1. Login at the Admin or Power-User level (see [Login](#), on page 66).
2. Type `ip-mode eth0 mode dhcp` and press **Enter**.
3. Type `set ip-state eth0 restart` and press **Enter**.

## Setting the System Date Time and Time Offset

---

The TimeCreator 1000 Time of Day can be set either by an external source, or manually with the Set Clock command. You can set the time and date only in the user tod-source mode. Use the following procedure to manually set the system date, time, and time offset:

1. Login at the Admin or Power-User level (see [Login](#), on page 66).
2. Type `set clock date <date value> time <time value>` and press **Enter**. Enter the date value in format yyyy-mm-dd.
3. Type `set clock offset <offset value>` and press **Enter**. Enter the time offset value in format hh-mm. Only offsets corresponding to valid time zones are supported.

## Setting the DTI Server Type

---

The TimeCreator 1000 can be provisioned as a root server operating with a GPS external reference, or if no external reference is qualified, it can operate in free-run mode. The TimeCreator 1000 can also be provisioned to operate as a subtending server receiving its reference from a root DTI server.

The TimeCreator 1000 stays in warm-up until the time is obtained. If RTC mode is selected, then the time is already available. Other modes need to obtain the time from an external source. Once the unit has passed beyond warm-up, a jam sync is required to adjust the time when changing the TOD source.



**Warning:** Changing the TOD source and performing the jam sync may require cable modems to re-sync. For information on jam sync, see [Force System Time to Reference \(Jam Sync\)](#), on page 75 and refer to the command [Sync TOD-Source](#), on page 155.

Use the following procedure to provision the TimeCreator 1000 mode of operation as either a root DTI server or subtending server.



**Note:** A TimeCreator 1000 that is provisioned as a subtending server must use the reference source of a root DTI server.

---

## Root DTI Server in Free-run Mode

The TimeCreator 1000 operates in free-run mode when there is no qualified external reference and the TOD is either set by the user, set with NTP, or set to the default Real Time Clock (RTC) mode.

### User Time Set Mode

The `Set Clock Date Time` command is used to set the system time.

#### *Example*

To provision the TimeCreator 1000 as a root server in free-run mode with the TOD set by the user to the current time, perform the following steps:

1. Login at the Admin or Power-User level (see [Login](#), on page 66).
2. Type `set tod-source user` and press **Enter**.
3. Type `set clock date <date> time <time>` and press **Enter**.

### NTP (Client) Set Mode

The `Set TOD-Source NTP` command is used to provision the Time of Day source to be an NTP server.

#### *Example*

To provision the TimeCreator 1000 as a root server with an NTP server supplying the TOD, perform the following steps:

1. Login at the Admin or Power-User level (see [Login](#), on page 66).
2. Type `set tod-source ntp` and press **Enter**.

### Default Time Set Mode

In the default mode, the time is obtained from the real-time clock on the IMC card.

#### *Example*



To provision the TimeCreator 1000 TOD source to be the IMC's real-time clock (RTC), perform the following steps:

1. Login at the Admin or Power-User level (see [Login](#), on page 66).
2. Type `set tod-source rtc` and press **Enter**.

## Root DTI Server in GPS Mode

In GPS mode, the time is obtained from GPS. The system waits until it has valid time from GPS before it transitions out of warm-up.

### *Example*

To provision the TimeCreator 1000 as a root server with GPS as the external reference, perform the following steps:

1. Login at the Admin or Power-User level (see [Login](#), on page 66).
2. Type `set tod-source gps` and press **Enter**.
3. Type `set interface tod-mode verbose` and press **Enter**.

## Subtending DTI Server Mode

A TimeCreator 1000 provisioned as a subtending server must connect directly to a root DTI server through the DTI client interface. A subtending server cannot be referenced to another subtending system. The root server must be in the verbose TOD mode so that the subtending server can obtain the necessary information via the DTI link.

### *Example*

To provision the TimeCreator 1000 as a subtending server, perform the following steps:

1. Login at the Admin or Power-User level (see [Login](#), on page 66).
2. Type `set tod-source dti` and press **Enter**.
3. Follow the steps in [Provisioning the Input Reference](#), on page 74 to provision the input reference ports.



**Note:** The root server *must* be in verbose TOD mode. On the root server, enter the following command: Type `set interface tod-mode verbose` and press **Enter**.

---

## Provisioning the Input Reference

---

When operating in normal (locked) mode, the TimeCreator 1000 uses the external reference (GPS or DTI) to acquire the system's frequency, DTI timestamp, and TOD alignment. DTI references are connected to ports A and B and you can provision a priority level for each port. You can also provision NTP to provide TOD. The TOD source must be set prior to enabling the desired interface.

### Setting the GPS Parameters

When the GPS reference is enabled, you can set the satellite position parameters either automatically or manually. In manual mode, you must specify the latitude, longitude, and height. You can also specify the elevation mask which filters the satellites used by the system.

#### *Example*

To provision the TimeCreator 1000 to set a GPS reference for manual mode and specify the position, perform the following steps:

1. Login at the Admin or Power-User level (see [Login](#), on page 66).
2. Verify that the TOD source has been set to GPS.
3. Type `set interface state gps enable` and press **Enter**.
4. Type `set gps mode manual position <latitude> <longitude> height (in meters)` and press **Enter**.

### Setting the DTI Parameters

DTI references connect to ports A and B. When you provision DTI as a reference, you must enable the ports and set them for client mode. You can also set a priority value for each port.

#### *Example*

To provision ports A and B for DTI reference, set port A for a priority of 1 and port B for a priority of 2 then perform the following steps:

1. Login at the Admin or Power-User level (see [Login](#), on page 66).
2. Verify that the TOD source has been set to DTI. This must be set before the state or type can be set.
3. Type `set interface type portA client` and press **Enter**.

4. Type `set interface type portB client` and press **Enter**.
5. Type `set interface state port port11 enable` and press **Enter**.
6. Type `set interface state port port12 enable` and press **Enter**.
7. Type `set interface priority portA 1` and press **Enter**.
8. Type `set interface priority portB 2` and press **Enter**.

## Setting the NTP Parameters

When the TimeCreator 1000 is provisioned for free-run mode, the unit can set its time from an external NTP server connected to the MGMT port.

### *Example*

To enable the MGMT port to receive TOD from an NTP server, perform the following steps:

1. Login at the Admin or Power-User level (see [Login](#), on page 66).
2. Verify that the TOD source has been set to NTP.
3. Type `set service ntp enable` and press **Enter**.
4. Type `set firewall ntp enable eth0` and press **Enter**.
5. Type `set ntp-server add <ip address>` and press **Enter**. If required by the NTP server, specify a keyID with the NTP-Server command, use the NTP-Key command to add key configuration, and NTP-Authorization to enable or disable authorization operation.

## Force System Time to Reference (Jam Sync)

The “jam sync” function allows you to either set the current time as TOD immediately, or to specify when the “jam sync” will occur.



**Warning:** Changing the TOD source and performing the jam sync may require cable modems to re-sync. For information on jam sync, see [Force System Time to Reference \(Jam Sync\)](#), on page 75 and refer to the command [Sync TOD-Source](#), on page 155.

---

### *Example*

To immediately perform a “jam sync”, perform the following steps:

1. Login at the Admin or Power-User level (see [Login](#), on page 66).
2. Type `sync tod-source now` and press **Enter**.

## Provisioning the DTI Links

---

The TimeCreator 1000 rear panel has ten permanent DTI client links that provide DTI timing signals to client elements in an M-CMTS architecture. There are also two DTI client/server ports that can be provisioned as either DTI reference links (for subtending servers), or as additional DTI links to client elements. DTI ports 11 and 12 must be provisioned to the appropriate type, either client or server, before being enabled or disabled.

The LED status indicators on the DTI links are described in [Table 5-2](#).

### **Enabling and Disabling the DTI Server Links**

To enable all DTI link ports, perform the following steps:

1. Login at the Admin or Power-User level (see [Login](#), on page 66).
2. Type `set tod-source dti` and press **Enter**.
3. Type `set interface state port all enable` and press **Enter**.

### **Enabling and Disabling the DTI Client/Server Links**

To set up ports 11 and 12 as client DTI links, perform the following steps:

1. Login at the Admin or Power-User level (see [Login](#), on page 66).
2. Type `set interface type portA client` and press **Enter**.
3. Type `set interface type portB client` and press **Enter**.
4. Type `set interface state port 11 enable` and press **Enter**.
5. Type `set interface state port 12 enable` and press **Enter**.

Table 5-2. DTI Link LED Indicators

| Indicator                      | Color | Description   |
|--------------------------------|-------|---|
| DTI Output Status              | Off   | <ol style="list-style-type: none"> <li>1. A DTI output issue exists on at least one DTI output port</li> <li>2. When operating as the Standby IOC</li> </ol>  |
|                                | Green | All DTI outputs are operating normally  |
| DTI Output State               | Off   | <ol style="list-style-type: none"> <li>1. Disabled</li> <li>2. Client Operating Normally</li> </ol>   |
|                                | Amber | <ol style="list-style-type: none"> <li>1. Enabled, client indicates Warm-up, Free-run, Holdover, or Fast-Lock states</li> <li>2. In Test Mode the DTI Output State LED and DTI Output Connectivity Status LED shall alternate being "on" and "off"</li> </ol> |
| DTI Output Connectivity Status | Off   | <ol style="list-style-type: none"> <li>1. Disabled</li> <li>2. Not connected to DTI client</li> </ol>   |
|                                | Green | <ol style="list-style-type: none"> <li>1. Connected to DTI client</li> <li>2. In Test Mode the DTI Output State LED and DTI Output Connectivity Status LED shall alternate being "on" and "off"</li> </ol>  |
| DTI Input State                | Off   | <ol style="list-style-type: none"> <li>1. Disabled</li> <li>2. Enabled and qualified as reference input</li> </ol>  |
|                                | Amber | Enabled and not qualified as reference input  |
| DTI Input Connectivity Status  | Off   | <ol style="list-style-type: none"> <li>1. Disabled</li> <li>2. Not connected to DTI server</li> </ol>   |
|                                | Green | Connected to DTI server   |

## Enabling DTI Test Mode

Test Mode produces a continuous stream test signal from the DTI links that is all ones prior to Manchester encoding.

### Example

To enable test mode on port 10, perform the following steps:

1. Login at the Admin or Power-User level (see [Login](#), on page 66).
2. Type `set interface test-mode port 10 enable` and press **Enter**.

## Provisioning Revertive and Non-Revertive Mode

---

The revertive and non-revertive function allows you to select the action taken when the system reference at ports A and B is disqualified and then re-qualified.

In the revertive mode, if an input used as the system reference is disqualified (for any reason), the reference switches to the next-highest input and reverts to the initial input when that input is re-qualified. In this mode, the reference switches two times: once when the disqualifying event occurs, and again when the initial input is re-qualified.

In the non-revertive mode, when the system reference is disqualified (for any reason), the system reference switches to the other input but does not revert to the initial input when the initial input is re-qualified. The system reference switches only once when the disqualifying event occurs. When the priorities of the ports are the same, the ports act in the non-revertive mode. If the priorities are different, the ports act in the revertive mode.

### *Example*

To provision the TimeCreator 1000 ports A and B for revertive mode, perform the following steps:

1. Login at the Admin or Power-User level (see [Login](#), on page 66).
2. Type `set interface priority portA 2` and press **Enter**.
3. Type `set interface priority portB 3` and press **Enter**.
4. Type `set ntp-server add 192.168.100.120` and press **Enter**.

## Provisioning SNMP

---

Enabling SNMP allows you to use an SNMP interface to remotely manage the TimeCreator 1000 over an Ethernet connection. You can provision SNMP to be enabled or disabled on the specified Ethernet port, provision the SNMP manager address to the specified IP address or to the default settings, and set user authentication.

### *Example*

To enable SNMP on the MGMT port, set the manager IP address to 192.168.100.100 with engine ID ABC123, add user ABC, with no authorization or privacy, perform the following steps:

1. Login at the Admin or Power-User level (see [Login](#), on page 66).
2. Type `set service snmp enable` and press **Enter**.
3. Type `set firewall snmp enable eth0` and press **Enter**.
4. Type `set snmp manager 192.168.100.100 engineID ABC123` and press **Enter**.
5. Type `set snmp user add ABC securLvl noauth` and press **Enter**.

## Provisioning an NTP Server

---

To provision the NTP server, you must enable it on the NTP server port. When NTP is enabled, the TimeCreator 1000 can serve its system time to external NTP clients.

### *Example*

To enable NTP on the NTP server port, perform the following steps:

1. Login at the Admin or Power-User level (see [Login](#), on page 66).
2. Type `set service ntp enable` and press **Enter**.
3. Type `set firewall ntp enable eth1` and press **Enter**.



**Note:** If desired, use the NTP-Key command to configure keys.

---

## Provisioning Cable Advance

---

The Cable Advance command allows you to compensate for the response time between client and server DTI links due to cable length. You can specify any or all ports and provision for auto correction or manual correction.



**Note:** Symmetricom recommends that you use the automatic cable advance feature. Refer to the command [Set Cable Advance](#), on page 117.

---

### *Example*

To provision cable advance auto mode on DTI link port 1, perform the following steps:

1. Login at the Admin or Power-User level (see [Login](#), on page 66).
2. Type `show cable-adv` and press **Enter** to view the current setting.
3. Type `set cable-adv port1 auto` and press **Enter**.

## Provisioning Alarms

---

This section describes the commands used to provision and manage alarms in the TimeCreator 1000. The user can provision the alarms to be enabled or disabled and set thresholds to turn the alarms on and off. For a list of all alarms, see [Appendix A, Alarms Events and System Messages](#).

Software commands allow you to perform the following:

- Provision the set and clear alarm thresholds
- Provision the alarm (enable or disable)
- Retrieve current alarm settings
- Retrieve current alarms
- Display alarm status

Alarms are also indicated by LEDs on the IOC and IMC modules.

### **Provisioning the Set and Clear Alarm Thresholds**

Alarm set and clear values can be entered for the following:

- MTIE-t



- MTIE-35
- Jitter
- FER

The set and clear values are the threshold settings that determine when an alarm is activated and deactivated. The set value is the threshold above which an alarm is activated. The clear value is the threshold below which an alarm is deactivated.

Use the following commands to provision the set and clear alarm threshold values.

#### *Example*

To set the MTIE-t, MTIE-35, Jitter, FER threshold of all ports to a set value of 8000 and a clear value of 5000, perform the following steps:

1. Login at the Admin or Power-User level (see [Login](#), on page 66).
2. Type `set alarm-threshold mtie-t all set 8000` and press **Enter**.
3. Type `set alarm-threshold mtie-t all clear 5000` and press **Enter**.
4. Type `set alarm-threshold mtie-35 all set 8000` and press **Enter**.
5. Type `set alarm-threshold mtie-35 all clear 5000` and press **Enter**.
6. Type `set alarm-threshold jitter all set 8000` and press **Enter**.
7. Type `set alarm-threshold jitter all clear 5000` and press **Enter**.
8. Type `set alarm-threshold fer all set 8000` and press **Enter**.
9. Type `set alarm-threshold fer all clear 5000` and press **Enter**.

## **Retrieving Current Alarm Settings**

The Show Alarm Threshold command displays the set and clear alarm thresholds for every alarm type, or you can individually display the MTIE-t, MTIE-35, Jitter, or FER on the specified port. If a port number is not specified, all ports are displayed.

#### *Example*

To display set and clear thresholds for all alarm types on all ports, enter the following:

Type `show alarm-threshold all` and press **Enter**.

To display individual set and clear alarm thresholds, such as FER, for port 5, enter the following:

Type `show alarm-threshold fer port5` and press **Enter**.

## Retrieving Current Alarms

The Show Alarms command displays all current alarms. To display a list of all current alarms enter the following:

Type `show alarms` and press **Enter**.

## Displaying Alarm and Unit Status

The Show Status command displays the system status information as follows:

- Assigned System Name and asset tag value
- Uptime for the IMC module
- System date and time
- Number of standing system alarms
- Active IOC module
- Standby IOC module
- Currently selected TOD Source
- Summary for the GPS Input
- Summary for each DTI client port
- Summary for each DTI server port
- Clock status for each IOC module

To display the system status, enter the following:

Type `show status` and press **Enter**.

## Routine Operation Commands

---

This section describes the commands you use to perform the following routine operations with the TimeCreator 1000:

- Displaying alarms
- Displaying events
- Displaying the TimeCreator 1000 configuration

## Displaying Alarms

The Show Log Alarm command displays all local alarms in the alarm log in chronological order (first in - first out).

### *Example*

Type `show log alarm` and press **Enter**.

## Displaying Events

The Show Log Event command displays all local events in the event log in chronological order (first in - first out). The event log contains the 1000 most recent alarmed and non-alarmed events.

### *Example*

Type `show log event` and press **Enter**.

## Restarting the TimeCreator 1000

The system can be restarted via a command. Since reference output signals will be lost, it is not recommended to restart the entire system unless required. Only the admin user can issue the reboot command. The following command restarts the IMC card:

### *Example*

Type `reboot imc` and press **Enter**.

# Saving and Restoring Provisioning Data

---

Symmetricon recommends that you keep an electronic version and/or a written version of the provisioning changes you make to the TimeCreator 1000.

## Backing up Provisioning Data

To backup up the current configuration, enter the following:

Type `set configuration backup` and press **Enter**.

To change the current configuration to the backup copy, enter the following:

Type `set configuration restore` and press **Enter**.

To change the current configuration to factory default while preserving user and IP information, enter the following:

Type `set configuration default` and press **Enter**.

To change the current configuration to the factory default, enter the following:

Type `set configuration factory` and press **Enter**.



**Notes:**

Setting the configuration to `default` will not overwrite the user login information or the system's IP address. Setting the configuration to `factory` will overwrite the user login information and return the system's IP address to the factory set address.

IOC configuration is automatically saved in the IOC card one minute after the configuration is changed.

---

# Chapter 6 Maintenance and Troubleshooting

This chapter describes maintenance and troubleshooting procedures for the TimeCreator 1000.

## In This Chapter

- Preventive Maintenance
- Safety Considerations
- ESD Considerations
- Diagnosing the IOC
- Diagnosing the IMC
- Repairing the TimeCreator 1000
- Obtaining Technical Assistance
- Upgrading the Firmware
- Returning the TimeCreator 1000
- User's Guide Updates

## Preventive Maintenance

---

The TimeCreator 1000 requires minimal preventive maintenance. Ensure the unit is not exposed to hazards such as direct sunlight, open windows, water, or extreme heat. See [Environmental Requirements](#), on page 42, for electromagnetic compatibility conditions that may cause damage.



**Caution:** To avoid electromagnetic discharge damage to the circuitry, never attempt to vacuum the TimeCreator 1000.

---



**Caution:** To avoid damage, under no circumstances should the interior chassis of the TimeCreator 1000 be allowed to come in contact with water.

---

[Table 6-1](#) lists preventive maintenance measures to be performed periodically. Do not disassemble components just for the purpose of inspection.

*Table 6-1. Preventive Maintenance*

| Item       | Inspection                                 | Corrective Action   | Interval     |
|------------|--|---|--------------|
| Chassis    | Inspect for dirt or foreign material       | Clean the exterior of chassis with a soft dry cloth   | Periodically |
| Cables     | Inspect for pinched, worn or damaged cable | Replace pinched, worn or damaged cable at the first opportunity                                   | Periodically |
| Connectors | Inspect for loose or damaged connector     | Tighten loose connectors. If damaged, replace the connector and/or cable at the first opportunity | Periodically |

## Safety Considerations

---

Follow your company's safety guidelines and policies when working on or around live equipment.

## ESD Considerations

---

Maintenance personnel should wear ESD wrist straps when installing or working on all TimeCreator 1000 equipment and modules. Plug the user-supplied wrist strap into the TimeCreator 1000. Place IMC and IOC modules into static-free bags when not in use.

# Diagnosing the IOC

---

## Reading LED Conditions

Table 6-2 shows the function of the LED indicators on the IOC.

Table 6-2. LED Conditions for the IOC

| Indicator    | Color | Description   |
|--------------|-------|---|
| Power        | Off   | power is off or power fault   |
|              | Green | power is on   |
| Alarm        | Off   | no alarms generated by module inputs, outputs, or clock   |
|              | Red   | module failure  |
| External Ref | Off   | System is not provisioned to use external references  |
|              | Amber | one of the provisioned reference inputs has been disqualified from being selected as system reference |
|              | Green | all provisioned reference inputs are qualified as possible system references                          |
| Active       | Off   | module is in standby mode   |
|              | Green | module is in active mode  |
| Holdover     | Off   | Module is not in holdover and is tracking at least one input  |
|              | Amber | Module is in holdover and not tracking inputs   |
| Output       | Off   | A DTI output issue exists on at least one DTI output port, or the module is the standby IOC           |
|              | Green | All DTI outputs are operating normally  |

## Removing the IOC

You can remove either of two IOCs in a shelf without affecting outputs. If you need to remove the only IOC in a shelf, or remove both IOCs from a shelf, outputs are interrupted and will resume once one IOC has achieved normal operating state.

### Removing the Only IOC

To remove the only IOC in a shelf, use the following procedure. Output signals will be interrupted; they will resume once the IOC has achieved normal operating state.

1. Save the contents of the IOC memory in the IMC by issuing the following command:

Type `set configuration backup ioc` and press **Enter**.

2. Issue the following command to take the IOC out of service:

Type `set ioc-state disable` and press **Enter**.

3. Attach a wrist grounding strap and connect it to the TimeCreator 1000 chassis.
4. Loosen the captive retaining screws and pull out on them to unseat the IOC from the shelf.



**Warning:** To avoid possible electrostatic damage to the IOC, place it in a static-free bag or on a static-free surface.

---

5. Place the IOC in a static-free bag or on a static-free surface.

Install a new IOC using the appropriate procedure in [Replacing the IOC](#), on page 90.

### Removing a Redundant IOC

To remove one IOC when two IOCs are in a shelf, use the following procedure:



**Note:** To avoid generating unnecessary alarms, be sure to take the IOC out of service before removing it.

---



**Caution:** To avoid a loss of output signals, do not take the only IOC in a shelf out of service.

---

1. Issue the following command to take the IOC out of service:

Type `set ioc-state disable ioc2` and press **Enter**.



**Note:** An IOC that is out of service cannot be selected to generate or monitor outputs. An out-of-service IOC does not generate alarms.

---

2. Attach a wrist grounding strap and connect it to the TimeCreator 1000 chassis.



3. Loosen the captive retaining screws and pull out on them to unseat the IOC from the shelf.



**Warning:** To avoid possible electrostatic damage to the IOC, place it in a static-free bag or on a static-free surface.

---

4. Place the IOC in a static-free bag or on a static-free surface.
5. Install a new IOC using the appropriate procedure in [Replacing the IOC](#), on page 90.

### Removing Two IOCs

To remove both IOCs in a shelf, use the following procedure:

1. Save the contents of the active IOC memory in the IMC by issuing the following commands:

Type `set configuration backup ioc` and press **Enter**.

2. Issue the following commands to take the standby and active IOCs out of service:

Type `set ioc-state disable ioc2` and press **Enter**.

Type `set ioc-state disable ioc1` and press **Enter**.



**Caution:** Output signals are turned off when you place the second IOC out of service.

---

3. Attach a wrist grounding strap and connect it to the TimeCreator 1000 chassis.
4. Loosen the captive retaining screws and pull out on them to unseat the standby IOC from the shelf.



**Warning:** To avoid possible electrostatic damage to the IOC, place it in a static-free bag or on a static-free surface.

---

5. Place the IOC in a static-free bag or on a static-free surface.
6. Repeat Steps 3 and 4 for the Active IOC.
7. Install new IOCs using the appropriate procedure in [Replacing the IOC](#), on page 90.

## Replacing the IOC

This section contains procedures for replacing IOC in three circumstances:

- Replacing the only IOC in a shelf
- Replacing one of two IOCs in a shelf
- Replacing both IOCs in a shelf

### Replacing the Only IOC

To replace the only IOC in a shelf, use the following procedure. Output signals will resume once the IOC has achieved normal operating state. This procedure assumes that you have stored the contents of the IOC memory in the IMC using the Set Configuration Backup IOC command.

1. Attach a wrist grounding strap and connect it to the TimeCreator 1000 chassis.
2. Install the IOC into the shelf and tighten the captive retaining screws.
3. Copy the contents of the IOC memory stored in the IMC by issuing the following command.

Type `set configuration restore ioc` and press **Enter**.

If you have not stored the contents of the IOC memory in the IMC, then provision the IOC using the procedures and commands described in [Chapter 5, Provisioning](#).

4. Wait for the IOC to reboot and achieve normal operating state.

### Replacing a Redundant IOC

To replace either of two IOCs in a shelf, use the following procedure. Output signals will not be affected by this procedure. You can also use this procedure to add an IOC to a shelf that has only one IOC.

1. Install the IOC into the shelf and tighten the captive retaining screws.
2. Wait for the IOC to reboot and achieve the normal operating state. During this time the Active IOC updates the new IOC's memory with current values.

### Replacing Both IOCs

Use this procedure to replace both IOCs in a shelf. Output signals will resume when the Active IOC has warmed up and qualified the reference signals. This procedure assumes that you have stored the contents of the IOC memory in the IMC using the Set Configuration Backup IOC command.

1. Attach a wrist grounding strap and connect it to the TimeCreator 1000 chassis.
2. Install the IOC into the left slot of the shelf and tighten the captive retaining screws. This IOC will become the Active IOC.

3. Wait for the IOC to reboot.
4. Retrieve the contents of the IOC memory stored in the IMC by issuing the following command:

Type `set configuration restore ioc` and press **Enter**.

If you have not stored the contents of the IOC memory in the IMC, then provision the IOC using the procedures and commands described in [Chapter 5, Provisioning](#).

5. Install the second IOC into the right slot of the shelf and tighten the captive retaining screws. This IOC will become the Standby IOC.
6. Wait for the IOC to reboot and qualify the reference inputs. During this time the active IOC updates the new IOC's memory with current values.

## Diagnosing the IMC

---

### Reading LED Conditions

[Table 6-3](#) shows the function of the LED indicators on the front panel of the IMC.

*Table 6-3. LED Conditions for the IMC*

| Indicator         | Color | Description   |
|-------------------|-------|---|
| Power             | Off   | Module power fault  |
|                   | Green | Module power is functioning properly  |
| Alarm             | Off   | There are no alarms being generated   |
|                   | Red   | There are alarms being generated by some component in the system                    |
| GPS               | Off   | System is not provisioned to use GPS reference                                      |
|                   | Amber | GPS input enabled, GPS input not qualified as reference                             |
|                   | Green | System is provisioned to use GPS reference, GPS reference is qualified as reference |
| Ethernet state    | Off   | No Ethernet link established  |
|                   | Green | Ethernet link established   |
| Ethernet activity | Off   | No Ethernet activity  |
|                   | Amber | Blinks with Ethernet activity   |

## Replacing the IMC

You can remove the IMC from the shelf and replace it without affecting outputs.

1. Save the contents of the IMC memory in an IOC (example is for IOC1) by issuing the following command:

Type `set configuration backup imc ioc1` and press **Enter**.

2. Attach a wrist grounding strap and connect it to the TimeCreator 1000 chassis.
3. Remove the IMC by loosening the captive screws and pulling the IMC from the shelf.



**Warning:** To avoid possible electrostatic damage to the IMC, place it in a static-free bag or on a static-free surface.

---

4. Place the IMC in a static-free bag or on a static-free surface.
5. Insert another IMC into the shelf and tighten the captive screws.
6. Reload the IMC memory from the IOC by issuing the following command:

Type `set configuration restore imc ioc1` and press **Enter**.

## Repairing the TimeCreator 1000

---

Repairing the TimeCreator 1000 is limited to replacing modules. Refer to [Working With Modules](#), on page 45, for information on how to properly handle modules to prevent electrostatic or physical damage.

To remove an IOC, loosen the captive screws and pull the module out of the shelf. Place the module on an anti-static surface or in an anti-static bag.

To remove the IMC, loosen the captive screws and pull the module out of the shelf. Place the module on an anti-static surface or in an anti-static bag.



**Warning:** To avoid possible electrostatic damage to the module or panel, place it in a static-free bag or on a static-free surface.

---

## Obtaining Technical Assistance

---

If you have technical questions about the TimeCreator 1000, call Symmetricom Global Services (SGS) at 888-367-7966 (toll-free in USA only), 408-428-7907, or +49 700 3288 6435 in Europe, Middle East, or Africa. You can also E-mail your technical questions to [support@symmetricom.com](mailto:support@symmetricom.com) or [emeasupport@symmetricom.com](mailto:emeasupport@symmetricom.com).

## Upgrading the Firmware

---

You can upgrade the firmware in the IMC, IOC, or redundant IOCs using CLI commands and software available from Symmetricom. Only users with Admin level access can execute the command. The command places the IMC in the firmware download mode and prevents all other sessions from making changes to the configuration. During the upgrade process, no new sessions are allowed. Refer to [Appendix B, Command Descriptions and Communications Interface](#) and the command [Upgrade](#), on page 156 for details on the upgrade process.



**Caution:** To avoid a possible service call, do not issue a command to the TimeCreator 1000, do not remove power from the TimeCreator 1000, and do not remove an IOC or IMC from the shelf during the upgrade process. Doing so could corrupt the flash memory in a module, disabling the TimeCreator 1000.

---

## Upgrading the IOC

The Upgrade command allows you to install firmware in a single IOC in basic configuration, or in either IOC of a redundant configuration. This section contains procedures for upgrading a shelf with a single IOC and for upgrading a shelf with redundant IOCs.

### Upgrading Single IOCs

To upgrade the software in a single IOC, use the procedure in this section. Outputs from the TimeCreator 1000 are interrupted for up to 30 minutes until the upgraded IOC enters the Locked mode.

1. Login at the Admin level (see [Login](#), on page 66).
2. Type `set configuration backup` and press **Enter** to save the contents of the IOC configuration.

3. Type `upgrade ioc <filename> <ftp-server>` (for example, `upgrade ioc ver2.bin 192.168.5.64`) and press **Enter**. The user is then prompted for the user name and password for the server.



**Note:** The system will FTP the file from the specified FTP server (IP or name) and then upgrade the module.

---

4. The new software is loaded into the IOC, after which it is rebooted and enters the Warm-up mode for up to 30 minutes.
5. Type `set configuration restore` and press **Enter** to restore the contents of the IOC configuration.

### Upgrading Redundant IOCs



**Note:** Symmetricom recommends that redundant IOCs use the same firmware revision.

---

To upgrade the software in both IOCs, use the following procedure:

1. Login at the Admin level (see [Login](#), on page 66).
2. Type `set configuration backup` and press **Enter** to save the contents of the active IOC configuration.
3. Type `upgrade ioc <filename> <ftp-server>` (use the IP address or server name) and press **Enter**.
4. When prompted, enter a user name and password for the server.



**Note:** The system will FTP the file from the specified FTP server (IP or name) and then upgrade the module.

---

5. The new software is loaded into the IOC, the IOC is rebooted, and it then enters Warm-up mode for up to 30 minutes.

If you are upgrading the active IOC, the TimeCreator 1000 performs the following:

- the active IOC enters standby mode
- the second IOC changes to active mode
- firmware is transferred to the standby IOC

After the download, the standby IOC must achieve Lock mode before changing back again to active mode. The standby IOC is then upgraded.



**Note:** If the initial IOC upgrade is not successful, the entire process is aborted, an error message is generated, and the IOC restarts with the original firmware.

---

6. Type `set configuration restore` and press **Enter** to restore the contents of the IOC configuration.

## Upgrading the IMC

To upgrade the software in the IMC, use the following procedure:



**Note:** Outputs are not affected during the IMC upgrade procedure.

---

1. Login at the Admin level (see [Login](#), on page 66).
2. Type `set configuration backup` and press **Enter** to save the contents of the IMC configuration.
3. Type `upgrade imc <filename> <ftp-server>` (use the IP address or server name) and press **Enter**.
4. When prompted, enter a user name and password for the server.



**Note:** The system will FTP the file from the specified FTP server (IP or name) and then upgrade the module.

---

5. The TimeCreator 1000 validates the received file, and if the file is valid it updates the flash memory and reboots the IMC.



**Note:** If the file is not valid, the TimeCreator 1000 will reject it.

---

## Returning the TimeCreator 1000

---

You should return the equipment to Symmetricom only after you have exhausted the troubleshooting procedures described earlier in this chapter, or if Symmetricom Global Services has advised you to return the unit.



**Note:** Please retain the original packaging for re-shipping the product. If the original packaging is not available, contact Symmetricom Global Services (SGS) for assistance.

---

### Repacking the Unit

Return all units in the original packaging. If the original packaging is not available, contact Symmetricom Global Services. Use standard packing procedures for products being returned for repair to protect the equipment during shipment. Connectors should be protected with connector covers or the equipment should be wrapped in plastic before packaging. Ensure that the display and connectivity panels are protected when packaged.

### Equipment Return Procedure

To return equipment to Symmetricom for repair:

1. Call Symmetricom Global Services (SGS) at 888-367-7966 (toll-free in USA only), 408-428-7907, or +49 700 3288 6435 in Europe, Middle East, or Africa to obtain a return material authorization number (RMA) before returning the product for service.

You can request an RMA on the internet at  
[www.symmetricom.com/Support/req\\_repair.htm](http://www.symmetricom.com/Support/req_repair.htm).

Retain the assigned RMA number for future reference.

2. Provide a description of the problem, product item number, serial number, and warranty expiration date.
3. Provide the return shipping information (customer field contact, address, telephone number, and so forth.)
4. Ship the product to Symmetricom, transportation prepaid and insured, with the Return Material Authorization (RMA) number and item numbers or part numbers clearly marked on the outside of the container to the address given with the RMA.

Repaired equipment is returned to you with shipping costs prepaid by Symmetricom.



## User's Guide Updates

---

When this manual is updated the updated version will be available for downloading from Symmetricom's internet web site. After downloading, you can view the manual on a computer or print it using Adobe Acrobat Reader.

Manual updates are available by logging in to Telecom Solutions at:

[www.symmetricom.com/support/](http://www.symmetricom.com/support/)



**Note:** If you are downloading a manual for the first time, you will need to register with Symmetricom. If you are currently registered, login and download the manual update.

---



# Appendix A Alarms Events and System Messages

The TimeCreator 1000 provides a log of events and alarms that are stored in non-volatile memory on the IMC module. This appendix provides details on the events, alarms, and system messages and provides descriptions of the information that is displayed.

## In This Appendix

- [Events](#)
- [Alarm Messages](#)
- [System Messages](#)

# Events

The following table provides a list of event messages and a description of each message.



**Note:** You can display the events and alarms on a terminal or computer running terminal emulation by entering the Show Alarm command. Refer to [Show Alarms](#), on page 111 and [Establishing a Connection to the TimeCreator 1000](#), on page 64 for further details.

Table A-1. Events

| Message                                      | Description   |
|--|---|
| IMC Module reboot                            | IMC module has restarted  |
| IOC <#> Module reboot                        | IOC 1 module (or IOC 2 if installed) has restarted                        |
| IOC <#> has transitioned into fast-lock mode | IOC 1 module (or IOC 2 if installed) has entered or exited fast-lock mode |
| IOC <#> has transitioned into warm-up mode   | IOC 1 module (or IOC 2 if installed) has entered or exited warm-up mode   |
| IOC <#> has transitioned into free-run mode  | IOC 1 module (or IOC 2 if installed) has entered or exited free-run mode  |
| IOC <#> has transitioned into normal mode    | IOC 1 module (or IOC 2 if installed) has entered or exited normal mode    |
| IOC <#> has transitioned into bridging mode  | IOC 1 module (or IOC 2 if installed) has entered or exited bridging mode  |
| IOC <#> has transitioned into holdover mode  | IOC 1 module (or IOC 2 if installed) has entered or exited holdover mode  |
| IOC <#> is the active IOC module             | IOC 1 module (or IOC 2 if installed) is the active IOC module             |
| IOC <#> is the standby IOC module            | IOC 1 module (or IOC 2 if installed) is the standby IOC module            |
| IOC <#> is disabled                          | IOC 1 module (or IOC 2 if installed) is disabled                          |
| IOC <#> has transitioned into frequency mode | IOC 1 module (or IOC 2 if installed) has transitioned into frequency mode |
| IOC <#> has selected GPS as reference        | IOC 1 module (or IOC 2 if installed) has selected GPS as reference        |

Table A-1. Events (Continued)

| Message  | Description   |
|--|---|
| IOC <#> has selected DTI port <#> as reference   | IOC 1 module (or IOC 2 if installed) has selected the specified DTI port as reference                 |
| IOC <#> has selected BITS port <#> as reference  | IOC 1 module (or IOC 2 if installed) has selected the specified BITS port as reference                |
| IOC <#> has been removed                         | Indicates that the specified IOC was removed from the shelf   |
| IOC <#> has been inserted                        | Indicates that the specified IOC was installed in the shelf   |
| Firmware copy between IOC modules failed         | Firmware copy between IOC modules failed  |
| Port <#> has transitioned into fast-lock mode    | Port (port 1 through port 12) has entered or exited fast-lock mode                                    |
| Port <#> has transitioned into warm-up mode      | Port (port 1 through port 12) has entered or exited warm-up mode                                      |
| Port <#> has transitioned into free-run mode     | Port (port 1 through port 12) has entered or exited free-run mode                                     |
| Port <#> has transitioned into normal mode       | Port (port 1 through port 12) has entered or exited normal mode                                       |
| Port <#> has transitioned into bridging mode     | Port (port 1 through port 12) has entered or exited bridging mode                                     |
| Port <#> has transitioned into holdover mode     | Port (port 1 through port 12) has entered or exited holdover mode                                     |
| Port <#> has transitioned into test mode         | Port (port 1 through port 12) has entered or exited test mode   |
| Port <#> MTIE-t interval has been set to <value> | Indicates the MTIE-t calculation interval for the port has been set to the specified value.           |
| Port <#> Jitter interval has been set to <value> | Indicates the Peak-Peak Jitter calculation interval for the port has been set to the specified value. |
| Port <#> FER interval has been set to <value>    | Indicates the frame error rate calculation interval for the port has been set to the specified value. |
| Output Port <#> cable advance value is invalid   | Client cable advance at (port 1 through port 12) is invalid   |
| Output Port <#> cable advance value is valid     | Client cable advance at (port 1 through port 12) is valid   |
| Output Port <#> performance is unstable          | Client performance at port (port 1 through port 12) is unstable                                       |
| Output Port <#> performance is stable            | Client performance at port (port 1 through port 12) is stable   |

Table A-1. Events (Continued)

| Message                            | Description   |
|------------------------------------|---|
| Power Module <#> has been removed  | Indicates that the specified Power module (1 or 2) was removed from the shelf |
| Power Module <#> has been inserted | Indicates that the specified Power module (1 or 2) was installed in the shelf |
| System TOD has been set by GPS     | System Time Of Day has been set by GPS  |
| System TOD has been set by NTP     | System Time Of Day has been set by NTP  |
| DTI TOD has been set               | DTI TOD has been set  |
| UTC time from GPS is available     | UTC time from GPS is available  |

## Alarm Messages

The TimeCreator 1000 provides set and clear alarm messages to notify you when certain conditions are exceeding the user-specified levels (when alarms are set) and when certain conditions return to within the user-specified levels (when alarms are cleared). Alarms also indicate hardware and signal status.

The following table provides a list of alarm messages and a description of each message.



**Note:** You can display the events and alarms on a terminal or computer running terminal emulation by entering the Show Alarm command. Refer to [Show Alarms](#), on page 111 and [Establishing a Connection to the TimeCreator 1000](#), on page 64 for further details.

Table A-2. Alarms

| Message  | Description  |
|--|--|
| Port <#> is within the MTIE-t threshold, <value>     | Indicates that the MTIE-t error rate is within the user-set threshold    |
| Port <#> has exceeded the MTIE-t threshold, <value>  | Indicates that the MTIE-t error rate has exceeded the user-set threshold |
| Port <#> is within the MTIE-35 threshold, <value>    | Indicates that the MTIE-35 error is within the user-set threshold        |
| Port <#> has exceeded the MTIE-35 threshold, <value> | Indicates that the MTIE-35 error has exceeded the user-set threshold     |

Table A-2. Alarms (Continued)

| Message  | Description  |
|--|--|
| Port <#> is within FER threshold, <value>                  | Indicates that the Frame Error Rate is within the user-set threshold                                   |
| Port <#> has exceeded the FER threshold, <value>           | Indicates that the Frame Error Rate has exceeded the user-set threshold                                |
| Port <#> is within the P-P Jitter threshold, <value>       | Indicates that the Peak-to-Peak Jitter is within the user-set threshold                                |
| Port <#> has exceeded the P-P Jitter threshold, <value>    | Indicates that the Peak-to-Peak Jitter has exceeded the user-set threshold                             |
| Input Port <#> cable advance value is invalid              | Indicates that the cable advance value for the specified port is not valid                             |
| Input Port <#> cable advance value is valid                | Indicates that the cable advance value for the specified port is valid                                 |
| Input Port <#> performance is unstable                     | Indicates that performance for the specified port is unstable  |
| Input Port <#> performance is stable                       | Indicates that performance for the specified port is stable  |
| Input Port <#> cable is disconnected                       | DTI input port A or B cable is disconnected  |
| Input Port <#> cable is connected                          | DTI input port A or B cable is connected   |
| Output Port <#> cable is disconnected                      | Output Port (port 1 through port 12) DTI client cable is disconnected                                  |
| Output Port <#> cable is connected                         | Output Port (port 1 through port 12) DTI client cable is connected                                     |
| DTI Port <#> reference is disqualified as system reference | Indicates that the reference signal at the specified DTI input port cannot be used as system reference |
| DTI Port <#> reference is qualified as system reference    | Indicates that the reference signal at the specified DTI input port can be used as system reference    |
| IOC <#> has been in holdover mode for extended period      | Indicates that the specified IOC has been in Holdover mode for an extended period                      |
| IOC <#> has transitioned out of extended holdover mode     | Indicates that the specified IOC (IOC1 or IOC2) is now out of extended holdover mode                   |
| IOC <#> operational failure                                | Indicates that the specified IOC module is not functioning properly                                    |
| No IOC module in system                                    | Both IOC modules are removed   |
| One or more IOC modules in system                          | At least one IOC module in the system  |
| IOC modules incompatible                                   | Indicates that redundant IOC modules are not compatible  |
| IMC operational failure                                    | Indicates that the specified IMC module is not functioning properly                                    |

Table A-2. Alarms (Continued)

| Message   | Description  |
|---|--|
| Inter-IOC communications failed                   | Indicates that communication between redundant IOC modules has failed                            |
| Inter-IOC communications restored                 | Indicates that communication between redundant IOC modules has been restored                     |
| IMC-IOC <#> communications failed                 | Indicates that communication between the IMC and IOC modules has failed                          |
| IMC-IOC <#> communications restored               | Indicates that communication between the IMC and IOC modules has been restored                   |
| IMC and IOC modules incompatible                  | Indicates that the IMC and IOC modules are not compatible  |
| GPS antenna communications failed                 | Indicates that the GPS signal is not connected   |
| GPS antenna communications restored               | Indicates that the GPS signal is OK  |
| GPS reference is disqualified as system reference | Indicates that the GPS reference signal at the specified port cannot be used as system reference |
| GPS reference is qualified as system reference    | Indicates that the GPS reference signal at the specified port can be used as system reference    |
| Power Module <#> output failure                   | Power module A or B output voltage failure   |
| Power Module <#> output failure cleared           | Power module A or B output voltage ok  |
| Power Module <#> fan failure                      | The fan of power module A or B failed  |
| Power Module <#> fan failure cleared              | The fan of power module A or B is ok   |

## System Messages

The following table provides a list of system messages that are displayed in response to a provisioning event or to an alarm that occurs when an associated threshold or timer is outside of the provisioned setting.



Table A-3. System Provisioning Messages

| Message   | Description  |
|---|--|
| Port <#> MTIE-t Alarm Set Threshold has been set to <value>       | Indicates the MTIE-t alarm set threshold for the port has been set to the specified value                |
| Port <#> MTIE-t Alarm Clear Threshold has been set to <value>     | Indicates the MTIE-t alarm clear threshold for the port has been set to the specified value              |
| Port <#> MTIE-35 Alarm Set Threshold has been set to <value>      | Indicates the MTIE-35 alarm set threshold for the port has been set to the specified value               |
| Port <#> MTIE-35 Alarm Clear Threshold has been set to <value>    | Indicates the MTIE-35 alarm clear threshold for the port has been set to the specified value             |
| Port <#> P-P Jitter Alarm Set Threshold has been set to <value>   | Indicates the peak-to-peak jitter alarm set threshold for the port has been set to the specified value   |
| Port <#> P-P Jitter Alarm Clear Threshold has been set to <value> | Indicates the peak-to-peak jitter alarm clear threshold for the port has been set to the specified value |
| Port <#> FER Alarm Set Threshold has been set to <value>          | Indicates the FER alarm set threshold for the port has been set to the specified value                   |
| Port <#> FER Alarm Clear Threshold has been set to <value>        | Indicates the FER alarm clear threshold for the port has been set to the specified value                 |
| Port <#> Cable Advance has been set to <value>                    | Indicates the cable advance for the port has been set to the specified value                             |
| Port <#> state has been set to <value>                            | Indicates the port state has been set to the specified value   |
| Port <#> type has been set to <value>                             | Indicates the port type has been set to the specified value  |
| Port <#> priority has been set to <value>                         | Indicates the port priority has been set to the specified value  |
| Port <#> test mode has been set to <value>                        | Indicates the port test mode has been set to the specified value   |
| The Bridging Time has been set to <value>                         | Indicates the bridging time has been set to the specified value  |
| Port statistics have been cleared                                 | Indicates the port statistics have been cleared  |
| IOC <#> has been set to Active                                    | Indicates the IOC has been set to active   |
| IOC <#> has been set to Disabled                                  | Indicates the IOC has been set to disabled   |
| IOC <#> has been set to Standby                                   | Indicates the IOC has been set to standby.   |
| Date has been set to <value>                                      | Indicates the date has been set to the specified value   |
| Time has been set to <value>                                      | Indicates the time has been set to the specified value   |

Table A-3. System Provisioning Messages (Continued)

| Message  | Description  |
|--|--|
| Local Time Offset has been set to <value>                      | Indicates the local time offset has been set to the specified value    |
| System Configuration has been backed-up                        | Indicates the system configuration has been backed-up                  |
| System configuration has been restored                         | Indicates the system configuration has been restored                   |
| System configuration has been set to default                   | Indicates the system configuration has been set to default             |
| System configuration has been set to factory default           | Indicates the system configuration has been set to factory default     |
| FTP from <ip_address> file <filename> successful               | Indicates the file transfer was successful                             |
| FTP from <ip_address> file <filename> unsuccessful             | Indicates the file transfer was unsuccessful                           |
| GPS Position mode has been set to <value>                      | Indicates the GPS position mode has been set to the specified value    |
| GPS Position has been set to <latitude>, <longitude>, <height> | Indicates the GPS position has been set to the specified values        |
| GPS Position mask has been set to <value>                      | Indicates the GPS position mask has been set to the specified value    |
| GPS port state has been set to <value>                         | Indicates the GPS port state has been set to the specified value       |
| GPS port priority has been set to <value>                      | Indicates the GPS port priority has been set to the specified value    |
| <eth_intfc> Host IP address has been set to <ip_address>       | Indicates the host IP address has been set to the specified value      |
| <eth_intfc> Host Mask has been set to <ip_address>             | Indicates the host mask address has been set to the specified value    |
| <eth_intfc> Host Gateway has been set to <ip_address>          | Indicates the host gateway address has been set to the specified value |
| <eth_intfc> IP-mode has been set to <value>                    | Indicates the IP-mode has been set to the specified value              |
| <eth_intfc> IP-state has been set to <value>                   | Indicates the IP-state has been set to the specified value             |
| <logfiletype> log size has been set to <size>                  | Indicates the log size has been set to the specified value             |
| <logfiletype> log interval has been set to <value>             | Indicates the log interval has been set to the specified value.        |

Table A-3. System Provisioning Messages (Continued)

| Message   | Description  |
|---|--|
| <logfiletype> log interval has been set to <value>        | Indicates the log interval has been set to the specified value.  |
| Test messages beginning                                   | When the “Message” command is used, the text “Test messages beginning” appears before the message event is logged. |
| System mode has been set to <mode>                        | Indicates the system mode has been set to the specified mode   |
| Authorization mode has been set to <mode>[, <ip_address>] | Indicates the authorization mode has been set to the specified mode and address                                    |
| <Service> state has been set to state on <ethernet port>  | Indicates the specified service state has been set on the specified port   |
| SNMP manager host has been set to <ip_address>            | Indicates the SNMP manager host has been set to the specified address  |
| SNMP <user> has been added                                | Indicates the specified SNMP user host has been added  |
| SNMP <user> has been deleted                              | Indicates the specified SNMP user host has been deleted  |
| TOD Source has been set to <value>                        | Indicates the TOD source has been set to the specified value   |
| TOD Source will sync at <date> <time>                     | Indicates the TOD source will sync at the specified date and time  |
| <Module> firmware was upgraded successfully to <version>  | Indicates the firmware upgrade to the specified version was successful   |
| <Module> firmware was upgraded unsuccessfully             | Indicates the firmware upgrade to the specified version was unsuccessful   |
| <user> has been added                                     | Indicates the specified user was added   |
| <user> has been deleted                                   | Indicates the specified user was deleted   |
| <user> has been locked                                    | Indicates the specified user has been locked   |
| <user> has been unlocked                                  | Indicates the specified user has been unlocked   |
| IMC module reboot requested by user                       | Indicates that the user requested the IMC module to reboot.  |
| IOC <#> module reboot requested by user                   | Indicates that the user requested the specified IOC module to reboot.  |

The following table provides a list of system notification messages and descriptions.

*Table A-4. System Notification Messages*

| <b>Message</b>                      | <b>Description</b>   |
|-------------------------------------|--|
| <username> authorization granted    | Authorization has been granted to the specified username     |
| <username> authorization terminated | Authorization has been terminated for the specified username |
| <username> authorization denied     | Authorization has been terminated for the specified username |

# Appendix B Command Descriptions and Communications Interface

This appendix describes the CLI command conventions, the prompts, line editing functions, and command syntax. The CLI command functions and features are organized by user security access levels and are listed alphabetically.

## In This Appendix

- [CLI Overview](#)
- [CLI Commands](#)
- [Simple Network Management Protocol](#)
- [Network Time Protocol](#)
- [Secure Shell Protocol](#)
- [Secure File Transfer Protocol](#)

## CLI Overview

---

The Command Line Interface (CLI), also called the ASCII command set, can be used to control the TimeCreator 1000 from a terminal connected to the EIA-232 serial port, or the Ethernet port.

### General Conventions

The following are CLI command general conventions:

- Commands *are not* case sensitive
- Braces { } indicate multiple options. When entering options in the CLI command, enter one option from the options listed in the braces. Options within braces { } are separated by a pipe ( | ).
- Brackets [ ] indicate that the enclosed information is optional.
- *Italics* indicate variable options.

Each command listed provides the following information:

- Command name
- Description of command function
- Operation of this command at security levels 1 through 3, with descriptions of syntax and command functions
- Remarks and comments about the command operation
- Related Commands lists other commands that may affect or be affected by the command.
- Restrictions describes any special restrictions on the use or operation of the command.

### Command User Levels

The TimeCreator 1000 provides a hierarchy of CLI command user levels that permit an increasing level of access to system parameters. This allows the system administrator to add users who can only view but not change system parameters and users who can view *and* change system parameters.

The users assigned to each security level have access options available as follows:

- Level 1 - user class, with read-only rights
- Level 2 - power user class, with read-write rights
- Level 3 - administrator user class, with read-write rights and can also configure users and upgrade firmware

## CLI Commands

---

This section provides an alphabetical listing of all CLI commands.

### Show Alarms

This command displays a list of all standing (active) system alarms.

**Level 1:** `show alarms`

**Level 2:** Same as Level 1

**Level 3:** Same as Level 1

**Remarks:** The information displayed is expected to be identical to an entry in the Event/Alarm Log File.

**Related:** `show status`, `generate message`, `show alarm-threshold`, `set alarm-threshold`

### Show Alarm-State

This command displays the state of each alarm: if it is enabled or disabled.

**Level 1:** `show alarm-state`

**Level 2:** Same as Level 1

**Level 3:** Same as Level 1

**Remarks:** See the list of alarm codes in the Set Alarm-State command.

**Related:** `set alarm-state`

### Set Alarm-State

This command is used to enable or disable specific alarms. [Table B-1](#) provides a list of alarm codes and their description.

**Level 1:** Not Applicable

**Level 2:** `set alarm-state alarm code {enable|disable}`

**Level 3:** Same as Level 2

**Related:** `show alarm-state`

Table B-1. Set Alarm-State Alarm Codes

| Alarm Code | Description                           |
|------------|---------------------------------------|
| IMCCOM     | IMC to IOC communication failure      |
| IOCCOM     | IOC to IOC communication failure      |
| IOCFAIL    | IOC failure                           |
| IMCFAIL    | IMC failure                           |
| OUTDISC    | DTI output disconnected               |
| INPDISC    | DTI input disconnected                |
| INPCBLADV  | DTI input cable advance invalid       |
| INPUNSTBL  | DTI input unstable                    |
| INPDISQ    | Input disqualified (DTI, GPS or BITS) |
| GPSCOMM    | GPS communications failure            |
| IOCINCOMP  | Two IOC modules are incompatible      |
| IMCINCOMP  | IOC and IMC are incompatible          |
| IOCRMV     | Both IOC removed                      |
| MTIET      | MTIE-t threshold exceeded             |
| MTIE35     | MTIE-35 threshold exceeded            |
| PPJITTER   | PP-jitter threshold exceeded          |
| FER        | Frame Error Rate threshold exceeded   |
| EXTHOLD    | IOC in holdover for extended period   |
| PWROUTPUT  | Power module output failure           |
| PWRFAN     | Power module fan failure              |
| JAMSYNC    | Jam sync required                     |
| XSYNC      | IOC synchronization failure           |



### Show Alarm-Threshold

This command displays the set and clear alarm thresholds for MTIE-35, Jitter, MTIE-35, MTIE-t, and FER.

**Level 1:** `show alarm-threshold`

**Level 2:** Same as Level 1

**Level 3:** Same as Level 1

**Remarks:** When ports A/11 and B/12 are configured as clients, alarm thresholds are not used.

**Related:** `set alarm-threshold`

### Set Alarm-Threshold

Use this command to provision the set and clear alarm thresholds for MTIE-35, Jitter, MTIE-35, MTIE-t, and FER on the specified port. The threshold can be set for all ports or an individual port.

**Level 1:** Not Applicable

**Level 2:**

```
set alarm-threshold jitter [port#|all]
[set|clear] value

set alarm-threshold mtie-35 [port#|all]
[set|clear] value

set alarm-threshold mtie-t [port#|all]
[set|clear] value

set alarm-threshold fer [port#||all]
[set|clear] value
```

**Level 3:** Same as Level 2

**Remarks:** When ports A/11 and B/12 are configured as clients, alarm thresholds are not used. The alarm is disabled if either threshold, set, or clear is set to zero.

**Related:** `show alarm-threshold`

## Alias

Use this command to create a short form of a frequently used command.

**Level 1:** `alias <name= string 1 - 2147483647>`

Enter name followed by "="

**Level 2:** same as Level 1

**Level 3:** same as Level 1

### Example

To display all defined aliases:

At the system prompt, type `alias` and press **Enter**.

### Example

To define the alias `w` for the command `where`:

At the system prompt, type `alias w='where'` and press **Enter**.

**Related:** None

### Show Authentication

Displays how the TimeCreator 1000 authenticates users. If applicable, it displays the RADIUS server and key and TACACS+ server and key.

- Level 1:** Not Applicable
- Level 2:** `show authentication`
- Level 3:** Same as Level 2

#### Example

To display the authentication status:

At the system prompt, type `show authentication` and press **Enter**.

#### Response

TACACS+ Login Status: disabled

Radius Login Status: disabled

**Remarks:** Authentication can be local, RADIUS, or TACACS+. Show authentication can also be disabled, but not local.

**Related:** None

### Set Authentication

Use this command to provision the authentication scheme, the RADIUS server IP address or hostname and the authentication key(s) for server access, or the TACACS+ server IP address or hostname and the authentication key(s) for server access. Only one RADIUS or TACACS+ server is supported. Only one key is supported.

- Level 1:** Not Applicable
- Level 2:**
- ```
set authentication radius {enable | disable}  
set authentication tacacs+ {enable | disable}
```
- Provisions the specified state.
- Level 3:**
- ```
set authentication radius address <address> set  
authentication radius key <key string>
```
- ```
set authentication tacacs+ address <address> set  
authentication tacacs+ key <key string>
```

**Remarks:** Authentication can be by local, RADIUS, and TACACS+

**Related:** `show authentication`

### Show Bridge-Time

This command displays the bridging time that is used when the system does not have a qualified reference.

**Level 1:**                `show bridge-time`

**Level 2:**                Same as Level 1

**Level 3:**                Same as Level 1

**Remarks:** If the system does not qualify a TOD source (frequency reference) within the specified bridging time, the system transitions to holdover mode.

**Related:** `set bridge-time`

### Set Bridge-Time

Use this command to provision the amount of time the system will remain in bridging mode before transitioning into the holdover mode.

**Level 1:**                `set bridge-time`

**Level 2:**                Same as Level 1

**Level 3:**                Same as Level 1

**Related:** `show bridge-time`

### Show Cable Advance

This command displays the cable advance setting for all enabled DTI outputs.

**Level 1:** `show cable-adv`

**Level 2:** Same as Level 1

**Level 3:** Same as Level 1

**Remarks:** The cable advance value may not be updated if the cable is disconnected or the port is disabled, including manual cable advance values.

**Related:** `set cable-adv`

### Set Cable Advance

Use this command to provision DTI client and server link(s) to use the specified cable advance value.

**Level 1:** Not Applicable

**Level 2:** `set cable-adv {port# | all} {auto | manual value}`

**Level 3:** Same as Level 2

**Remarks:** A value of ff:ff:ff provisions the port to use the current automatic value for the cable delay value, thereby freezing the current value.



**Note:** If the cable advance is presently valid, then the cable advance setting is constrained to update at a rate of 26 ps/s, as required by the DTI specification, in both automatic and manual modes. To make a large change in the cable advance manually, first disable the port with the Set Interface command.

---

**Related:** `show cable-adv`

## CLI-Settings

Shows whether the "more" function is enabled or disabled.

**Level 1:** `cli-settings`

**Level 2:** Same as Level 1

**Level 3:** Same as Level 1

**Related:** `cli-settings more`

## CLI-Settings More

This command is used to enable or disable the "more" function. The "more" function is used to page through a large number of command description lines when they go beyond one display screen.

**Level 1:** `cli-settings more {enable | disable}`

**Level 2:** Same as Level 1

**Level 3:** Same as Level 1

**Remarks:** The "more" function stops and waits for a user to hit the 'space' bar before displaying additional pages of information. Entering `q` discontinues displaying more information.

### Show Clock

This command displays the system's date, time, leap seconds, and local time offset. The `show dti-clock` command displays the date, time, leap seconds, and local time offset transmitted on the DTI ports.

**Level 1:**            `show clock`  
  
                      `show dti-clock`

**Level 2:**            Same as Level 1

**Level 3:**            Same as Level 1

**Remarks:** If the Show Clock command and the Show DTI-Clock command time/date values are different and the unit is not in warm-up, then a "jam-sync" is probably required.

**Related:** `set clock`

### Set Clock

Use this command to provision the IMC's user-assigned date, time, leap seconds, and local time offset.

**Level 1:**            Not Applicable

**Level 2:**            `set clock date <yyyy-mm-dd> time <hh:mm:ss>`  
  
                      `set clock offset <value>`  
  
                      `set clock leapseconds <value>`

**Level 3:**            Same as Level 2

**Remarks:** The date and time can only be set in the user tod-source mode. The leap seconds value can only be set in the user and NTP tod-source modes. The leap seconds value is the accumulated number of seconds between GPS and UTC time.

[Table B-2](#) provides a list of supported time zone offsets:

Table B-2. Time Zone Offsets

| Supported Time Zone Offsets |        |        |       |       |       |       |        |        |        |
|-----------------------------|--------|--------|-------|-------|-------|-------|--------|--------|--------|
| -12:00                      | -11:00 | -10:00 | -9:00 | -8:00 | -7:00 | -6:00 | -5:00  | -4:00  | -3:30  |
| -3:00                       | -2:00  | -1:00  | +0:00 | +1:00 | +2:00 | +3:00 | +4:00  | +4:30  | +5:00  |
| +5:30                       | +6:00  | +6:30  | +7:00 | +8:00 | +9:00 | +9:30 | +10:00 | +11:00 | +12:00 |



**Note:** If the offset is changed, then the unit saves the configuration and restarts.

---

**Related:** `show clock`, `show dti-clock`

**Restrictions:**      The Date format is yyyy-mm-dd.  
                          The Time format is hh:mm:ss.  
                          The Local Time Offset is hh:mm.



## Set Configuration

Use this command to backup the current configuration, restore the current configuration from a backup copy, or set the current configuration to factory default values.

**Level 1:** Not Applicable

**Level 2:**

```

set configuration [backup|restore|default|factory]

set configuration backup -- save configuration in
same card

set configuration backup IOC -- save IOC
configuration in IMC

set configuration backup IMC {IOC1 | IOC2} -- save
IMC configuration in either IOC1 or IOC2

set configuration restore -- restore configuration
from the same card

set configuration restore IOC -- restore IOC
configuration from IMC

set configuration restore IMC {IOC1 | IOC2} --
restore IMC configuration from either IOC1 or IOC2.

set configuration default -- set the configuration
to default, preserving user and ip configuration

set configuration factory -- set the configuration
to factory default

```

**Level 3:** Same as Level 2

**Remarks:** Setting the configuration to default will not overwrite user login information or system's IP address. Setting the configuration to factory resets all settings to the factory default. The IOC configuration is automatically saved in the IOC one minute after a configuration setting is changed.

**Related:** See Set commands

### **Show EIA-232**

This command displays the serial port's operating parameters: baud rate, parity, word length, stop bits, and handshaking.

**Level 1:**                    `show eia-232`

Serial port configuration:

Baud - 57600

Data - 8

Parity - none

Stop - 1

**Level 2:**                    Same as Level 1

**Level 3:**                    Same as Level 1

**Remarks:** The serial interface is fixed at 57.6K, None, 8, 1, Xon/Xoff. There is no associated set command. The EIA-232 interface can be enabled and disabled using the Set Service command.

**Related:** `set resource`, `show resource`

**Exit**

If the engine is currently at a command-node or major command node, exit will take the control to its parent. An exit at the root module will have no effect.

**Level 1:**

**Level 2:**

**Level 3:**

**Remarks:**

**Related:**

## Show Firewall

This command displays the firewall configuration.

**Level 1:** Not Applicable

**Level 2:** `show firewall`

**Level 3:** Same as Level 2

**Related:** `set firewall`

## Set Firewall

Use this command to configure the firewall. The firewall is used to selectively block traffic of specified protocols from the Ethernet ports. If the firewall is enabled for a protocol, then traffic using that protocol is allowed. If the protocol type is disabled, then traffic of that type is blocked.

**Level 1:** Not Applicable

**Level 2:**

```
set firewall icmp {enable|disable} {eth0|eth1}
set firewall telnet {enable|disable} {eth0|eth1}
set firewall ssh {enable|disable} {eth0|eth1}
set firewall ftp {enable|disable} {eth0|eth1}
set firewall ntp {enable|disable} {eth0|eth1}
set firewall snmp {enable|disable} {eth0|eth1}
set firewall radius {enable|disable} {eth0|eth1}
set firewall tacplus {enable|disable} {eth0|eth1}
set firewall syslog {enable|disable} {eth0|eth1}
```

**Level 3:** Same as Level 2

**Related:** `show firewall`

### **Generate Message**

Use this command to generate all TimeCreator 1000 specific messages.

**Level 1:** Not Applicable

**Level 2:** Not Applicable

**Level 3:** `generate message`

**Related:** `show log`

## Show GPS

This command displays the position (latitude, longitude, height), elevation mask value (positioning filter), mode of operation (manual or automatic), and GPS satellite tracking status. It also displays information for all satellite vehicles being tracked: vehicle number, health, noise ratio, satellite elevation, satellite azimuth.

**Level 1:** `show gps`

**Level 2:** Same as Level 1

**Level 3:** Same as Level 1

**Related:** `set gps`

## Set GPS

Use this command to provision the GPS for mode of operation, position, and positioning elevation mask. With this command, you can provision the GPS to use either automatic or manual mode to determine the system's position. You can provision the GPS position if the system is provisioned for Manual mode of operation. You can also provision the elevation mask to provide a method of filtering satellites to be used by the system.



---

**Note:** Latitude and Longitude are entered as pddd:mm:ss.sss, where p is N or S for latitude and E or W for longitude, ddd is degrees, mm is minutes, and ss.sss is seconds. For example: N59:20:3.458 or W121:31:42.69. Height is in meters.

---

**Level 1:** Not Applicable

**Level 2:** `set gps {mode [auto|manual]|position <lat> <long>  
<height>|mask value}`

Latitude is in the format N|Sddd:mm:ss.sss, for example:

N37:22:45.123

S48:33:67.456

Longitude is in the format E|Wddd:mm:ss.sss, for example:

W121:55:36.123

E157:33:47.456

Height is in meters with one digit after the decimal point, for example:

17.5

**Level 3:** Same as Level 2

**Related:** `show gps`

**Restrictions:** The system must have the GPS mode of operation provisioned as manual before you can successfully provision the position manually.

## History

Use this command to display a list of commands that have been executed.

**Level 1:**            `history`

`save_to_file` - The history will get saved in this file.

`load_from_file` - The history from this file will be loaded. The file-name should be of an existing file.

**Level 2:**            Same as Level 1

**Level 3:**            Same as Level 1

### **Show Hostname**

This command displays the host name for the TimeCreator 1000.

**Level 1:** `show hostname`

**Level 2:** Same as Level 1

**Level 3:** Same as Level 1

**Related:** `set hostname`

### **Set Hostname**

This command sets the host name for the TimeCreator 1000.

**Level 1:** Not Applicable

**Level 2:** `set hostname {hostname}`

**Level 3:** Same as Level 2

**Remarks:** Hostname can contain up to 20 characters.

**Related:** `show hostname`



**Show Interface**

This command displays the port state (enabled or disabled) for the GPS, client, or server ports. It also displays the reference priorities and the port number, type, test mode, and state.

**Level 1:** `show interface`

**Level 2:** Same as Level 1

**Level 3:** Same as Level 1

**Remarks:** There are a total of 12 ports. Ports A/11 and B/12 have dual functionality; they can be provisioned as either DTI client or DTI server ports.

**Related:** `set interface`

**Set Interface**

Use this command to provision the port state to be enabled or disabled for the GPS, client, or server ports. You can provision ports A/11 and B/12 as either DTI client ports or DTI server ports and you can also provision the priority levels. You can provision the DTI server ports to be in test mode.

**Level 1:** Not Applicable

**Level 2:**

```
set interface state {gps|port} {#|all}
{enable|disable}

set interface test-mode port {#|all}
{enable|disable}

set interface tod-mode {short|verbose}

set interface type {porta|portb} {client|server}

set interface priority {porta|portb} value
```

**Level 3:** Same as Level 2

**Remarks:** Rear panel ports A/11 and B/12 are referred to as ports A and B for the interface state and type commands.

If the priority of the ports are the same, the port selection is non-revertive. For instance:

1. If one port is disqualified and the second port is qualified, the second port will be used as the reference.
2. If the first port is once again qualified, then the unit will not switch back to using the first port; it will continue to use the second port as reference.

Set the ToD source to the desired value before setting the interface state or type. The type should be set before the state is set for ports 11 and 12. Ports A/11 and B/12 must be configured as server ports for the test signal is generated in test mode. If test mode is enabled, the test signal is generated regardless of the port enable/disable state setting.

**Related:** `show interface`

### Show Interval

This command displays the interval over which performance data is calculated for all types of data and for all output ports.

**Level 1:**                `show interval`

**Level 2:**                Same as Level 1

**Level 3:**                Same as Level 1

**Related:** `set interval`

### Set Interval

This command allows you to provision the interval over which performance data is calculated for the specified type of data (P-P Jitter, MTIE-t, FER) and for the specified output ports.

**Level 1:**                Not Applicable

**Level 2:**                `set interval jitter [port#|all]  
value`  
  
`set interval mtie-t [port#|all] value`  
  
`set interval fer [port#|all] value`

**Level 3:**                Same as Level 2

**Remarks:** Setting the interval to 0 disables calculation of performance data.

### Show Inventory

This command displays the installed module inventory information: model number, user-assigned asset number, IMC's MAC addresses, IMC and IOC modules' serial numbers, IMC and IOC modules' PCB versions, IMC and IOC modules' FPGA versions, IMC and IOC modules' firmware versions.

**Level 1:** `show inventory`

**Level 2:** Same as Level 1

**Level 3:** Same as Level 1

**Remarks:** The user can only modify the Asset number.

**Related:** `set inventory`

### Set Inventory

Use this command to provision the IMC module's user-assigned asset value information.

**Level 1:** Not Applicable

**Level 2:** `set inventory asset <string>`

Enter user-assigned asset value string from 1 to 20 characters.

**Level 3:** Same as Level 2

**Related:** `show inventory`

### Show IOC-State

This command displays the state of both the active and standby IOC module. If either IOC module cannot assume the active, standby, or disabled state, the state indicates NOT AVAILABLE.

**Level 1:** `show ioc-state`

**Level 2:** Same as Level 1

**Level 3:** Same as Level 1

**Remarks:** The active IOC module generates DTI outputs. The redundant module is the standby Module.

**Related:** `set ioc-state`

### Set IOC-State

Use this command to provision the standby module to become the active module, or for either module to be disabled. IOC1 references the IOC module to the left of the IMC and IOC2 references the IOC module to the right of the IMC.

**Level 1:** Not Applicable

**Level 2:** `set ioc-state [active|standby|disable][ioc1|ioc2]`

**Level 3:** Same as Level 2

**Remarks:** If the active IOC module is disabled, the system sets the redundant IOC module to be the active module prior to disabling the currently active module. If the redundant IOC module cannot become the active module, the command is ignored.

**Related:** `show ioc-state`

## Show IP

This command displays the Host address, Mask, and Gateway IP settings for both Ethernet interfaces. It also indicates if DHCP is enabled for the interface and if the interface is disabled.

**Level 1:** `show ip {config | status}`

**Level 2:** Same as Level 1

**Level 3:** Same as Level 1

**Remarks:** Use `show ip config` to display the current user-selected configuration settings. Use `show ip status` to display the current interface configuration. The status version of the command gives the Ethernet link status and the IP interface status.

**Related:** `set ip`

## Set IP

Use this command to provision the Host address, Mask, Gateway, and Broadcast IP settings for both Ethernet interfaces.

**Level 1:** Not Applicable

**Level 2:** `set ip {eth0|eth1} {[addr|mask|gateway|broadcast] address}`

**Level 3:** Same as Level 2

**Remarks:** The address format allows IPv4 and IPv6 multiple octet formats. Use IP-State to disable the interface while configuring the system. The mask is defined as an integer defining the number of 1-bits from the MSB. The rest of the bits are 0. For example a value of 24 corresponds to 255.255.255.0.



### Notes:

IPv6 is not supported in this release.

If a gateway address is configured, but the gateway device is not functioning or is not connected, then the Ethernet interface will not function.

Use `set ip-state {port} restart` after configuring the IP interface.

---

**Related:** `show ip`, `set ip-mode`, `set ip-state`

### **Set IP-Mode**

Use this command to set the DHCP mode for both Ethernet interfaces. You can set up the interface to use either DHCP or a static IP.

**Level 1:** Not Applicable

**Level 2:** `set ip-mode {eth0|eth1} mode {dhcp|static}`

**Level 3:** Same as Level 2

**Remarks:** Use Set IP-State to restart the interface after configuring the system.

**Related:** `show ip`, `set ip`, `set ip-state`

### **Set IP State**

Use this command to enable or disable the specified Ethernet interface. You must restart the interface after you configure it.

**Level 1:** Not Applicable

**Level 2:** `set ip-state {eth0|eth1} {enable|disable|restart}`

**Level 3:** Same as Level 2

**Remarks:** Restart disables the interface and then enables it.

**Related:** `show ip`

## Show Log

This command displays the specified log file from the local storage. The Index parameter selects one of the rotated log files. The Head parameter, along with the count value, displays the specified number of events from the beginning of the file. The Tail parameter, along with the count value (#), displays the specified number of events from the end of the file. If the Index is not specified or set to zero, the current log file is displayed. If neither Head nor Tail parameter is issued, the 20 most recent entries are displayed. the command display the specified log's user provisioned line buffer size and total number of lines buffered. The log files are:

- Performance Log - log of performance monitoring data
- NTP Log
- Alarm Log
- Event Log
- Command Log
- Security Log

**Level 1:** `show log {performance|ntp|alarm|event|command|security} [index {head|tail} count]`

**Level 2:** Same as Level 1

**Level 3:** Same as Level 1

**Related:** `set log`

## Clear Log

This command clears the specified log.

**Level 1:** Not Applicable

**Level 2:** `clear log {performance|ntp|alarm|event|command}`

**Level 3:** Same as Level 2



### Show Log-size

Use this command to display the specified log buffer, the maximum number of kilobytes stored in the file before it is rotated.

**Level 1:** `show log-size`

**Level 2:** Same as Level 1

**Level 3:** Same as Level 1

### Set Log-size

Use this command to provision the specified log file buffer size, the maximum number of kilobytes to be stored in the file before it is rotated.

**Level 1:** Not Applicable

**Level 2:** `set log-size {performance|ntp|alarm|event|command|security} size`

**Level 3:** Same as Level 2

**Remarks:** Provisioning a log file size to zero disables the logging of that type of data.

**Related:** `show log`

### Show Log-Interval

This command displays the user provisioned log intervals.

**Level 1:** `show log-interval`

**Level 2:** Same as Level 1

**Level 3:** Same as Level 1

**Related:** `show log`

### Set Log-Interval

Use this command to provision the interval for the specified log. The interval is the time, in seconds, between successive log entries. Only the performance log can be provisioned.

**Level 1:** Not Applicable

**Level 2:** `set log-interval performance {interval}`

**Level 3:** Same as Level 2

**Remarks:** Setting the log interval to zero disables logging.

**Related:** `show log`

## **Logout**

This command terminates the current user connection.

- |                 |                 |
|-----------------|-----------------|
| <b>Level 1:</b> | logout          |
| <b>Level 2:</b> | Same as Level 1 |
| <b>Level 3:</b> | Same as Level 1 |

### **Show Mode**

This command displays the TimeCreator 1000 mode configuration, either root or subtending.

**Level 1:**                `show mode`

**Level 2:**                Same as Level 1

**Level 3:**                Same as Level 1

**Remarks:** For subtending mode, this command returns "proxy". This is the term used by the SNMP MIB.

**Related:** `set tod-source`

### **Show NTP**

This command displays the NTP configuration, including server addresses, polling intervals, preferred server, and key information.

- Level 1:**                `show ntp`
- Level 2:**                Same as level 1
- Level 3:**                Same as level 1

### Set ntp-server

This command provisions which NTP servers to use, the minimum and maximum poll intervals, if the server is preferred, and key ID. This information is used when the TimeCreator 1000 is acting as an NTP client.

**Level 1:** Not applicable

**Level 2:**

```
set ntp-server add <server ip address or hostname>
[key <keyid>] [min <value>] [max <value>]
[preferred {yes|no}]
```

```
set ntp-server modify <server ip address or
hostname> [key <keyid>] [min <value>] [max <value>]
[preferred {yes|no}]
```

```
set ntp-server del <server ip address or hostname>
```

**Level 3:** Same as level 2

**Remarks:** Valid key ID range is 1 to 65535. Valid poll intervals are 4 to 10, which correspond to 16 to 1024 seconds. The NTP service must be disabled and then enabled with the Set Service command for changes to take effect. If a key ID is specified, then authentication is used when connecting to the NTP server. The key must be defined with the Set NTP-Key command.

### **Set ntp-authentication**

This command provisions NTP authentication.

**Level 1:** Not applicable

**Level 2:** `set ntp-authentication {enable|disable}`

**Level 3:** Same as level 2

**Remarks:** The NTP service must be disabled and then enabled with the Set Service command for changes to take effect. This configuration is not used in the client-server mode of NTP.

### **Set ntp-key**

This command provisions NTP key ID and key string pairs. This will be used when the TimeCreator 1000 is an NTP client and also when it is an NTP server. Key ID and string pairs can be added, modified, or deleted.

**Level 1:** Not applicable

**Level 2:**

```
set ntp-key add <keyid> <key_string>

set ntp-key modify <keyid> <key_string>

set ntp-key del <keyid>
```

**Level 3:** Same as level 2

**Remarks:** Valid key ID range is 1 to 65534 and the key string can be up to 32 ASCII characters. Up to nine NTP keys can be configured. The key must not contain the "#" or "?" characters. The NTP service must be disabled and then enabled with the Set Service command for changes to take effect.



## **Ping**

Use this command to ping the host specified by the address (xxx.xxx.xxx.xxx) and display ping statistics.

**Level 1:**            ping address

**Level 2:**            Same as Level 1

**Level 3:**            Same as Level 1

### **Reboot**

This command restarts one or more of the modules. Using this command can cause a loss of outputs.

**Level 1:** Not Applicable

**Level 2:** Not Applicable

**Level 3:** `reboot {imc|ioc1|ioc2|system}`

**Remarks:** Selecting the “system” option restarts all system modules.

### **Show remote-syslog**

This command displays the remote syslog server that log messages are sent to from the TimeCreator 1000.

**Level 1:** `show remote-syslog`

**Level 2:** Same as Level 1

**Level 3:** Same as Level 1

**Related:** `set remote-syslog`

### **Set remote-syslog**

This command is used to configure a remote syslog server to receive log messages from the TimeCreator 1000.

**Level 1:** Not Applicable

**Level 2:** `set remote-syslog enable <hostaddr>`

`set remote-syslog disable`

**Level 3:** Same as Level 2

**Related:** `show remote-syslog`

### Show Services

This command displays all TimeCreator 1000 service states.

**Level 1:** Not Applicable

**Level 2:** `show services`

**Level 3:** Same as Level 2

**Remarks:** Services include EIA-232, Telnet, SSH, NTP, and SNMP.

### Set Service

Use this command to specify the state of each service.

**Level 1:** Not Applicable

**Level 2:**

```
set service eia-232 {enable|disable}  
set service telnet {enable|disable}  
set service ssh {enable|disable}  
set service ntp {enable|disable}  
set service snmp {enable|disable}
```

**Level 3:** Same as Level 2

**Remarks:** Services include EIA-232, Telnet, FTP, SSH, NTP, and SNMP.



**Note:** The command also includes the capability of controlling the syslog service. Disabling this service is not recommended.

---

## Show SNMP

Use these commands to display the SNMP Manage assigned to the agent, and all assigned users (username only).

**Level 1:** Not Applicable

**Level 2:** Not Applicable

**Level 3:** `show snmp manager`

This command displays the SNMP manager and the engineID.

`show snmp user`

This command displays all assigned users (user names only).

`show snmp trap`

This command displays whether traps are sent as SNMPv2 or SNMPv3 and also the SNMPv3 trap user.

**Related:** `set snmp`

## Set SNMP

Use this command to provision the SNMP state, user authentication, and manager.

**Level 1:** Not Applicable

**Level 2:** Not Applicable

**Level 3:**

```
set snmp user {add|delete} username securlvl  
{noauth|auth|priv}
```

Use this command to add or delete an SNMP user, including authentication and privacy. If appropriate, the user is prompted for AuthKey, PrivKey, AuthType, and PrivType. You can set AuthType to MD5 or SHA. You can set PrivType to DES or AES.

```
set snmp manager address (xxx.xxx.xxx.xxx  
engineid {value})
```

Use this command to set the SNMP manager address to the specified IP address or hostname and configure engine ID for the manager.

```
set snmp default
```

Use this command to clear the SNMP manager information.

```
set snmp trapuser username securlvl  
{noauth|auth|priv}
```

Use this command to set an SNMPv3 user. If the security level is set for "auth", then the user is prompted for AuthType and AuthKey. You can set AuthType to MD5 or SHA. If the security level is set for "priv", then the user is prompted for AuthType, AuthKey, PrivType, and PrivKey. You can set PrivType to DES or AES.

```
set snmp trapversion {2|3}
```

Use this command to select whether traps are sent as SNMPv2c or SNMPv3.

**Related:** `show snmp`

### **Show SNMP v2**

Use this command to display whether SNMPv2 is enabled and whether read-write access is enabled.

**Level 1:** Not Applicable

**Level 2:** Not Applicable

**Level 3:** `show snmp v2`

**Related:** `set snmpv2`

### **Set SNMPv2**

Use this command to enable or disable SNMPv2 and control read-write access.

**Level 1:** Not Applicable

**Level 2:** Not Applicable

**Level 3:** `set snmpv2 {Disable | Enable {readonly | readwrite}}`

Use this command to enable or disable SNMPv2. When enabling, read-write vs. read only access is specified.

**Remarks:** The readonly configuration sets the read community to public and the write community to private. The read-write configuration sets both read and write communities to public.

**Related:** `show snmp v2`

### **Show Statistics**

This command displays the statistics information for the following:

- DTI Client Peak-to-Peak Jitter (connected to a server port)
- DTI Client MTIE-35 (connected to a server port)
- DTI Client MTIE-t (connected to a server port)
- DTI Client FER (connected to a server port)

**Level 1:**                `show statistics`

**Level 2:**                Same as Level 1

**Level 3:**                Same as Level 1

**Related:** `clear statistics`

### **Clear Statistics**

This command clears all statistics.

**Level 1:**                Not Applicable

**Level 2:**                `clear statistics`

**Level 3:**                Same as Level 2

**Related:** `show statistics`



## Status

This command displays the system status information as follows:

- Assigned System Name and asset tag
- Uptime for the IMC
- System date and time
- Number of standing system alarms
- Active IOC module
- Standby IOC module
- Currently selected TOD Source
- Summary for the GPS Input
- Summary for each DTI client port
- Summary for each DTI server port
- Clock operating mode for the IOC

**Level 1:**            `show status`

**Level 2:**            Same as Level 1

**Level 3:**            Same as Level 1

**Related:** `show alarms`

### **Set-timeout**

Use this command to change the timeout time. If the timeout is reached, the CLI logs out with a message "Session timeout" ... The user can set the timeout as desired.

**Level 1:**                `set-timeout`

**Level 2:**                Same as Level 1

**Level 3:**                Same as Level 1

**Remarks:** This only allows a session timeout to be set to 10 seconds.

### Show TOD-Source

This command displays the Time Of Day Source.

**Level 1:** `show tod-source`

**Level 2:** Same as Level 1

**Level 3:** Same as Level 1

**Related:** `sync tod-source`, `set tod-source`

### Set TOD-Source

Use this command to provision the TOD Source.

**Level 1:** Not Applicable

**Level 2:** `set tod-source {gps|dti|ntp|rtc|user}`

Use this command to provision the TOD Source to be provided by GPS, DTI client port, NTP server, or the local Real-Time Clock.

**Level 3:** Same as Level 2 (default)



**Note:** If the system has passed the warm up state, the Sync TOD-Source command is also required.

---

**Related:** `sync tod-source`, `show tod-source`

### Sync TOD-Source

Use this command to change the time and phase of the DTI outputs.

**Level 1:** Not Applicable

**Level 2:** `sync tod-source {now | yyyy-mm-dd hh:mm:ss}`

Use this command to provision the TOD-Source to “jam sync” when the command is issued or at the specified date/time.

**Level 3:** Same as Level 2

**Related:** `set tod-source`, `show tod-source`

## Upgrade

Use this command to upgrade the specified modules firmware with the specified filename. If the IP address, username, and password is provided, the system will FTP the filename from the specified server (IP or name) and then upgrade the specified module. The system can download the file from an http, ftp, or sftp server. If the optional keyword "auto-reboot" is added, then the upgraded card will reboot after being upgraded. IOC cards will verify that there is a standby IOC card available before rebooting. The new firmware is not used until the card is rebooted.

**Level 1:** Not Applicable

**Level 2:** Not Applicable

**Level 3:** `upgrade {imc|ioc|ioc1|ioc2} filename server  
{ftp|sftp|http} [auto-reboot]`

The user will be prompted for the username and password for the server.

## Show User

This command displays all assigned users and access levels (local access does not require RADIUS or TACACS+ authentication).

**Level 1:** Not Applicable

**Level 2:** Not Applicable

**Level 3:** `show user`

**Related:** `set user`

## Set User

Use this command to provision the local user password and access level.

**Level 1:** `set user password <username>`

Level 1 users can only change their own password.

**Level 2:** Same as Level 1

**Level 3:** `set user add`  
`set user del <username>`  
`set user modify <username> access-level <level>`  
`set user password <username>`  
`set user lock <username>`  
`set user unlock <username>`  
`set user default`

When adding a user, the system prompts the Administrator for username, password, password verification and level of access.

Use Del to remove (delete) a user from the access list.

Use Modify to change the access-level of the user.

Use password to change the password for the user. The system prompts for the password.

Use Lock to lock out the specified user.

Use Unlock to unlock the specified user. The user could have been locked by the lock command or by too many failed login attempts. Users are locked out after 3 consecutive failed login attempts.

Use Default to remove all users from the access list and set the default user and password.

**Remarks:** The password is not echoed back to the user's terminal.

**Related:** `show user`

### **Where**

Use this command to display the path of the current command node or module starting from the root.

- Level 1:**                where
- Level 2:**                Same as Level 1
- Level 3:**                Same as Level 1

## **Simple Network Management Protocol**

---

This section describes the two versions of SNMP supported by the TimeCreator 1000: SNMPv2c and SNMPv3.

### **SNMP Features**

The Simple Network Management Protocol (SNMP) is an application layer protocol that allows you to manage network devices. SNMP is based on a client-server query-response mode that requires an Ethernet connection. A manager application (software installed on a computer) is the client generating the queries, and an agent (software on the TimeCreator 1000) is the server generating responses. The TimeCreator 1000 SNMP supports most existing functions.

If SNMP is present, port 161 becomes the port of standard SNMP interactive communications and port 162 becomes the trap port.

SNMP allows you to perform the following functions:

- Alarm management
- GPS input configuration
- DTI client and server port configuration
- TOD source configuration

### **SNMPv3 Security Features**

SNMPv3 provides additional security features not available in SNMPv2c. In addition to the functions of SNMPv2c, SNMPv3 allows user levels that are based on authentication and privacy settings. The authentication protocol HMAC-SHA-1-96 is 20 characters long and the privacy protocol CBC-DES is a 16-character key. All keys are uppercase.

The administrator can add up to 20 users to the SNMP user table.

## Management Information Base

The Management Information Base (MIB) is a virtual database of managed objects, their object identifiers, and variables. Typical MIB object identifiers include the TimeCreator 1000, its modules, module features, input ports, output ports, etc. and variables that include settings and measurements.

The MIB is controlled by the TimeCreator 1000's SNMP agent. The SNMP agent is a server program that sends TimeCreator 1000 status (stored in the MIB database) to the network manager when the manager transmits GET or GETNEXT messages. The manager can also transmit SET messages that instruct the agent to set MIB variables to new values. The TRAP message is used by the server to send the manager indications of MIB occurrences, such as a fault condition.

## SNMP Users and Manager Addresses

SNMP CLI commands allows you to:

- Enable and disable SNMP
- Set SNMP manager IP address for traps
- Add up to 20 SNMP user names in the SNMP user table
- Display SNMP user names (read community string) and their associated access levels
- Delete SNMP user names

### Enabling SNMP

The Set Service Snmp command allows you to enable or disable the SNMP (see [Set Service](#), on page 148).

*Example:*

Use the following command to enable SNMP:

Type `set service snmp enable` and press **ENTER**.

### Adding a Manager IP Address

The Set Snmp Manager command allows you to specify an SNMP manager IP address (see [Set SNMP](#), on page 150).

*Example:*

Use the following command to add the SNMP manager IP address 192.100.100.100 and engineID XYZ:

Type `set snmp manager address 192.100.100.100 engineid xyz` then press **Enter**.

### Adding and Removing SNMP Users

The Set Snmp User command allows you to add or remove users and specify access privileges using algorithm HMAC-SH-1-96 or MD5 with the 20 character authentication key and a CBC-DES 16 or AES character privacy key (see [Set SNMP](#), on page 150).

#### Example

Use the following command to add user ABC with the 20 character MD5 authentication key 123456789ABCDEFGHIJK and 16 DES character privacy key 123456789ABCDEFG.

Type `set snmp user add abc securlvl priv` and press **Enter**.

Enter MD5 at the authentication protocol prompt.

Enter 123456789ABCDEFGHIJK at the authentication key prompt

Enter DES at the privacy protocol prompt

Enter 123456789ABCDEFG at the privacy key prompt

### Displaying SNMP Users

The Show Snmp commands allow you to display the SNMP configuration. This includes the SNMP manager, users, trap version, trap user, and whether SNMPv2 is enabled (see [Show SNMP](#), on page 149).

#### Example

Use the following command to display the list of SNMP users (admin user level 3 required).

Type `show snmp user` and press **Enter**.



**Note:** Valid authentication key and privacy key characters include numbers, upper and lowercase letters, and the character set `:=?@_.`. Do not use spaces in user names.

---

## Network Time Protocol

---

Network Time Protocol (NTP) is used to synchronize system clocks to a common time source by transmitting and receiving time of day over a TCP/IP network.



The TimeCreator 1000 implements NTPv4, and supports the NTP v.3 (RFC 1305) version. It can run as a server application and a client application. The NTP server always runs and the client is enabled independently.

## Server Mode

The NTP server application always runs at port 123 (default NTP port) on the NTP Ethernet port and responds to requests for time in the NTP format. The NTP datagram provides fields (bits) of information that indicate the integrity of the time delivered by the server, two of these are the LI and STR fields. The Leap Indicator (LI) field indicates that Time has been successfully set (LI=0) or that Time has not been successfully set (LI=3). The Stratum (STR) field indicates the number of "hops" a client is from the root NTP server: for every hop, STR is incremented by one (1). If the unit has time set from GPS, then it indicates it is a primary time source with 0 in the LI field and 1 in the STR field. If the unit has time set by the client application, it indicates it is a secondary source with a 0 in the LI field and the source server STR + 1 in the STR field.

If the unit time has not been set by one of the above then it indicates that time is not valid by setting the LI field to 3. Once the unit time has been set by either radio or client then LI = 0. Setting time by the keyboard sets (or leaves) LI = 3, since this is not an accurate time setting.

## Client Mode

If GPS is not available or disabled, and a valid NTP server is configured, then the unit will request time from port 123 of the assigned server IP at the designated time interval (32 to 1024 seconds). Once time is set by the client mode, the server will have LI = 0 and Stratum = the time source STR + 1. A second server IP may be entered and the NTP protocol will check both servers and select the best source per the NTP specifications. An NTP response received in the client mode overrides the time set by keyboard and changes the LI field to 0 as indicated above.

## Secure Shell Protocol

---

Secure Shell Protocol (SSH) provides secure, encrypted communications and services between hosts on unsecured networks.

## Secure File Transfer Protocol

---

Secure File Transfer Protocol (SFTP) uses SSH to transfer files encrypting both commands and data, including passwords, to provide secure transmission for copying files.



## Appendix C Installing the Two-Way GPS Antenna

This document describes the procedures for installing the Symmetricom Two-Way GPS antenna and the Two-Way Antenna Interface.

### In This Appendix

- [Tools](#)
- [Parts](#)
- [Making GPS Connections](#)

## Tools

---

These standard tools and materials are not supplied, but may be required for installing the Two-Way GPS antenna:

- Standard tool kit
- Fasteners for mounting the equipment in rack
- PVC glue

## Parts

---

The following table identifies the parts available for the GPS antenna.

*Table C-1. GPS Parts and Accessories*

| Part Number               | Description                    |
|---------------------------|--------------------------------|
| 990-93500-01 <sup>1</sup> | Two-Way GPS Antenna Kit        |
| 090-58545-01              | Two-Way GPS Antenna (spare)    |
| 043-00018-01              | Lightning suppressor (spare)   |
| 060-58545-01              | RG-58 cable, 10 ft. (3 m)      |
| 060-58545-02              | RG-58 cable, 20 ft. (6 m)      |
| 060-58545-05              | RG-58 cable, 50 ft. (15 m)     |
| 060-58545-10              | RG-58 cable, 100 ft. (30 m)    |
| 060-58545-20              | RG-58 cable, 200 ft. (60 m)    |
| 060-58545-30              | RG-58 cable, 300 ft. (90 m)    |
| 060-58545-50              | RG-58 cable, 500 ft. (150 m)   |
| 154-00023-01              | Crimp tool for RG-58 cable     |
| 093-72010-98              | TNC connectors for RG-58 cable |

**Note:**

- <sup>1</sup> Kit includes GPS antenna and mounting hardware. Order antenna cables separately

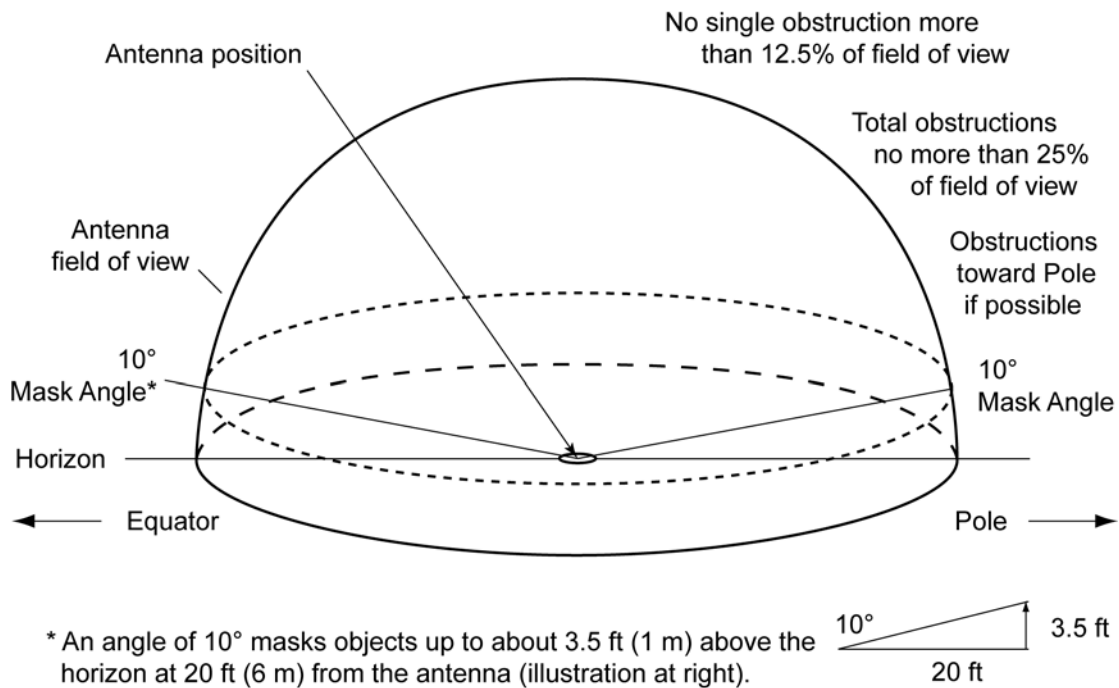
# Making GPS Connections

To connect the GPS antenna signal, you must install a GPS antenna using the procedure in this document.

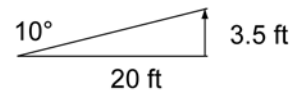
## Installing the GPS Antenna

These installation procedures are to be used in support of local company procedures and the Installation Job Specification.

Prior to installing the antenna, the site, antenna location, lightning suppressor location, cable route, and all other details should be planned. Use [Figure C-1](#) as a guide to locating the antenna.



\* An angle of 10° masks objects up to about 3.5 ft (1 m) above the horizon at 20 ft (6 m) from the antenna (illustration at right).



TC0024

Figure C-1. Locating the GPS Antenna

To install the antenna, refer to [Figure C-2](#), and perform the procedure in this section. Ensure all user-supplied materials are available. The maximum distance between the antenna and the device is approximately 985 feet (300 m). The minimum cable length is 6.6 feet (2 m). The GPS Antenna should always be as close to the TimeCreator 1000 as practical.



**Warning:** To prevent arcing, ensure that the lightning suppressor is installed away from electrical devices and cabling.

---



**Note:** Use the following antenna installation instructions as a guideline only. Install the antenna using company-approved techniques, and follow all appropriate local building and electrical codes.

---



**Recommendation:** Symmetricom recommends that you use one of the following grounding points:

- Valid roof ring ground system
- Cad weld to building structural steel
- Ground plate within 50 feet (15 m) of antenna cable entrance into building

You can order two lengths of cable: one connecting the antenna to the lightning suppressor and one from the suppressor to the TimeCreator 1000. Or you can order one length of cable; you need to cut the cable and terminate it properly, using your own tools.

---

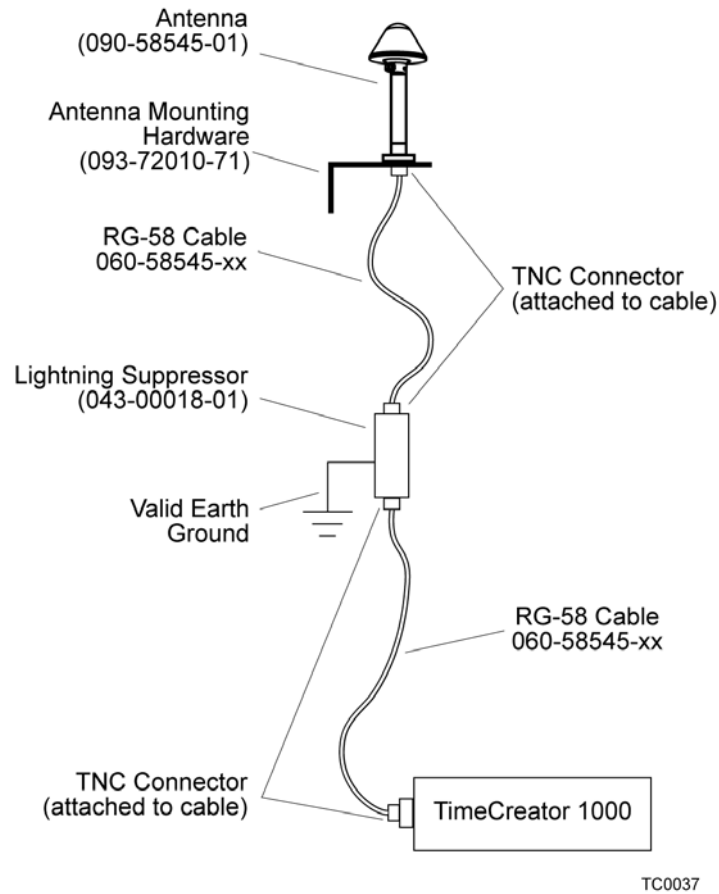
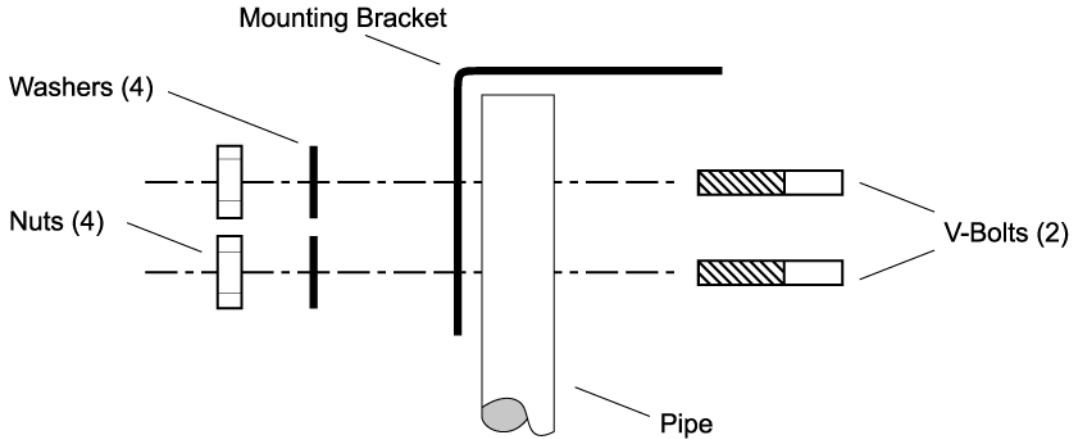


Figure C-2. Antenna-to-Device Cabling

To install the antenna:

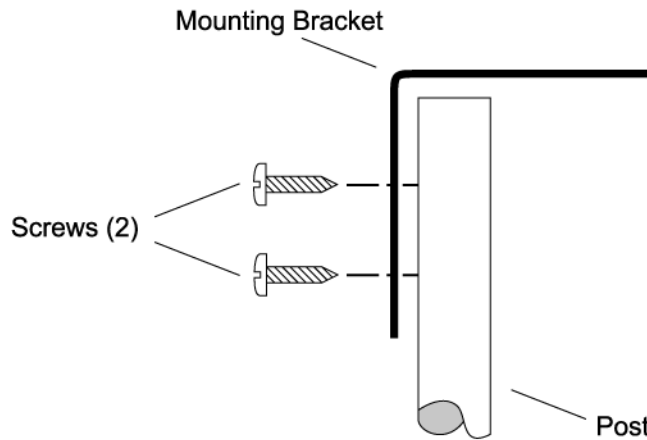
1. Attach the antenna mounting bracket to a 1-inch (2.5 cm) diameter pipe or wood post.
  - If you are mounting the bracket to a pipe, assemble as shown in [Figure C-3](#). Slide the two V-bolts over the pipe, and through the mounting bracket slots; then place the provided four washers and four nuts over the V-bolts, against the mounting bracket. Leave the V-bolts loose enough to allow for final adjustments.



TC0020

Figure C-3. Installing the Antenna Bracket on a Pipe

- If you are mounting the bracket to a wood post, assemble as shown in [Figure C-4](#). Install the provided two self-tapping screws in two diagonally positioned mounting bracket slots, and attach to the post.



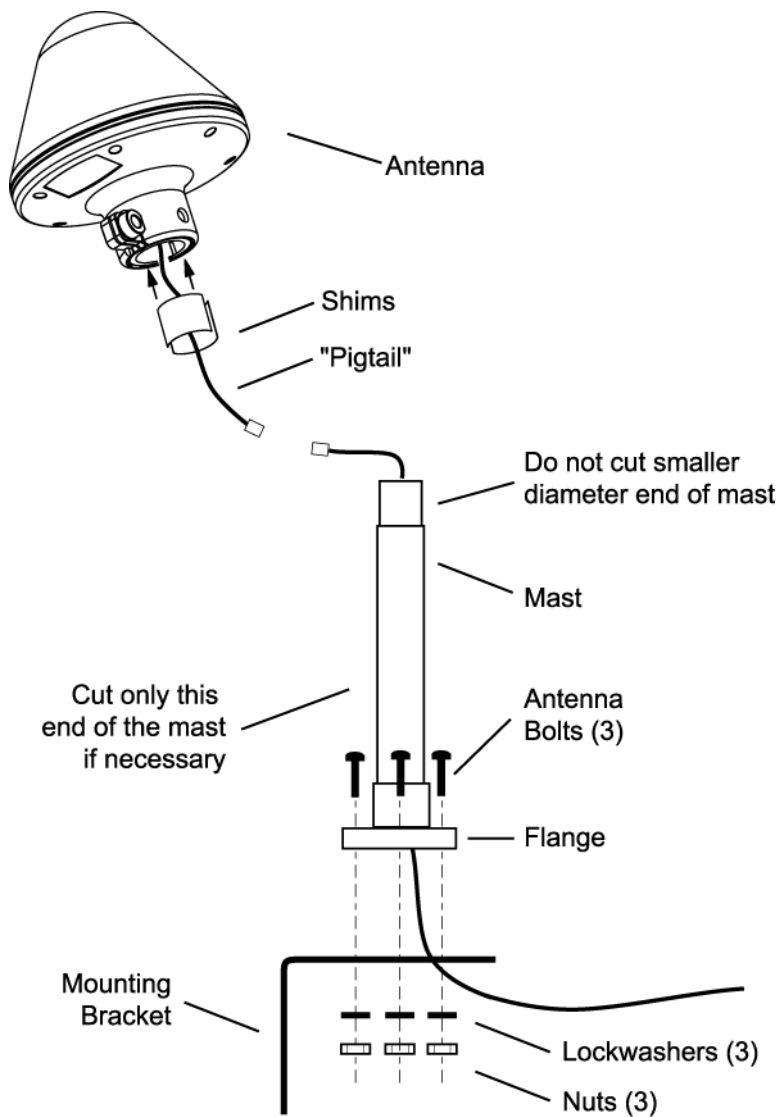
TC0021

Figure C-4. Installing the Antenna Bracket on a Post

2. Mount the antenna and mast assembly to the “L” bracket.
3. Connect the mast to the flange using PVC glue.
4. Feed an RG58 (060-58545-xx) cable through the bottom of the mast as illustrated. See [Table C-1](#) for specific cable lengths.
5. Connect the cable to the antenna “pigtail” and pull the cable back through the mast.
6. Mount the antenna to the mast using the supplied shims.



7. Mount the antenna and mast assembly to the "L" bracket using the supplied nuts, bolts, and washers, as shown in [Figure C-5](#).



TC0022

Figure C-5. Attaching the Antenna to the Bracket

8. Using a plumb line or bubble level, ensure the antenna is within 5° of vertical (perpendicular to the horizon), and tighten the mounting bracket bolts.
9. Bolt the lightning suppressor mounting plate to a flange that is attached to a valid earth ground. The roof ring ground system, a grounding plate, and building structural steel are examples of valid earth ground points. If the mounting plate cannot be bolted to a valid earth ground, bolt the mounting plate to a point within 15 feet (4.6 m) of the chosen valid earth ground. A minimum 30-foot (9 m) bend radius is required when installing the ground wire. If the mounting plate is to be

installed in a nonmetallic junction box, perform the installation and bolt the assembly near the chosen valid earth ground.



**Note:** A junction box must have inside dimensions of 2.75 inches by 2.75 inches by 1.6 inches (7 cm by 7 cm by 4 cm) to hold the mounting plate and attached components.

10. Assemble the lightning suppressor as shown in [Figure C-6](#).

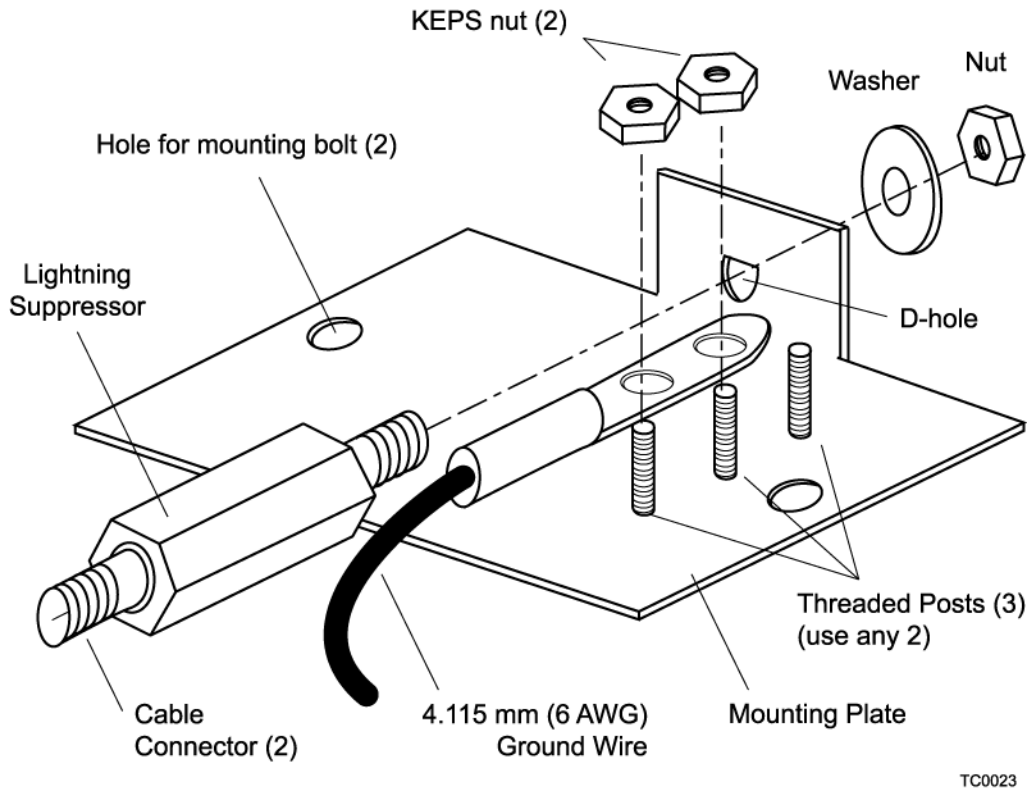


Figure C-6. Assembling the Lightning Suppressor

11. Install 1.5 inch (3.8 cm) nonmetallic conduit from the antenna to the lightning suppressor, and from the lightning suppressor to the cable entrance into the building.

12. Install a user-supplied bracket, preferably non-metallic, to support the vertical section of conduit to the antenna.

13. Route the antenna cable through the conduit, and connect the cable to the lightning suppressor. See [Table C-1](#) for specific cable lengths.

14. If the lightning suppressor is not mounted directly to a valid earth ground, crimp a length of 4.115 mm (6 AWG) ground cable to the two-hole terminal, slide the

terminal over two of the three threaded posts on the lightning suppressor mounting plate, and attach the terminal to the mounting plate with two KEPS nuts. Use the two posts that allow the least bending of the cable.

15. Connect an RG58 (060-58545-xx) cable between the lightning suppressor and the TimeCreator 1000. See [Table C-1](#) for specific cable lengths.
16. Install fire-stopping material in all holes opened in the roof and/or walls during this procedure.
17. Check all connections for tightness to prevent arcing and intermittent operation.
18. Coat all exposed connectors with an electrically conductive antioxidant compound (e.g. Kopr-Shield spray).



# Appendix D Specifications and Factory Defaults

This appendix provides mechanical and electrical specifications and factory defaults for the TimeCreator 1000.

## **In This Appendix**

- [Specifications](#)
- [Factory Defaults](#)

# Specifications

---

This section provides the specifications for the TimeCreator 1000 components and input and output signals.

## Mechanical

Table D-1. TimeCreator 1000 Mechanical Specifications

| Parameter               | Description                                                                                                                    |
|-------------------------|--------------------------------------------------------------------------------------------------------------------------------|
| Mounting                | 19 in. Rack                                                                                                                    |
| Rack Mounting Positions | Front mounting location, unit protrudes 0.75 in. (4.445 cm)<br>Mid-point mounting location, unit protrudes 6.33 in. (16.08 cm) |
| Width                   | 17.25 in. (43.82 cm)                                                                                                           |
| Height                  | 1.75 in. (4.45 cm)                                                                                                             |
| Depth                   | 19.9 in. (50.5 cm)                                                                                                             |
| Weight                  | 11 lb. (5 kg) fully loaded 7 lb. (3.2 kg) empty                                                                                |

## Environmental

Table D-2. TimeCreator 1000 Environmental Specifications

| Parameter             | Description                   |
|-----------------------|-------------------------------|
| Operating Temperature | 0° to 40° C, 32° to 104° F    |
| Storage Temperature   | -25° to 70° C, -13° to 158° F |
| Operating Humidity    | 10% to 90% RH non-condensing  |
| Storage Humidity      | 5% to 90% RH non-condensing   |

## Power

Table D-3. TimeCreator 1000 Power Specifications

| Parameter                        | Description                                                                             |
|----------------------------------|-----------------------------------------------------------------------------------------|
| AC Input Power                   | 100-240 V AC at 50/60 Hz.                                                               |
| AC Power Fuse                    | 2 A (2 each)                                                                            |
| AC Power                         | 40 W                                                                                    |
| DC Input Power                   | -36 V DC to -72 V DC<br>-48 V DC, 2.7 A (maximum)<br>Either positive or negative ground |
| DC Recommended Battery Feed Fuse | 3 A                                                                                     |
| DC Power                         | 40 W                                                                                    |

## Serial Port

Table D-4. Serial Port Specifications

| Item            | Description               |
|-----------------|---------------------------|
| Connector Type  | 9-pin, female D connector |
| Connector Label | Craft                     |
| Interface       | RS-232                    |
| Baud Rate       | 57.6 Kbps                 |
| Data Bits       | 8                         |
| Parity Bit      | None                      |
| Stop Bits       | 1                         |
| Flow Control    | None                      |

## LAN Port

Table D-5. LAN Port Specifications

| Connector | Description                                                                                  |
|-----------|----------------------------------------------------------------------------------------------|
| MGMT      | RJ-45 (10Base-T/100 Base-T) - Supports two telnet sessions and two SSH sessions over TCP/IP. |
| NTP       | RJ-45 (10Base-T/100 Base-T) - Supports NTP Servers that comply with RFC 1305.                |

## Input Signals

Table D-6. Input Signal Specifications

| Parameter             | Specification                                                                              |
|-----------------------|--------------------------------------------------------------------------------------------|
| <b>GPS</b>            |                                                                                            |
| Requirement           | Proprietary Rooftop Antenna (see Roof Antenna specification in <a href="#">Table D-8</a> ) |
| Interface             | TNC connector                                                                              |
| <b>DTI</b>            |                                                                                            |
| Termination Impedance | 100 ohms                                                                                   |
| Amplitude             | 2.2Vpp to 2.8Vpp                                                                           |
| Data Rate             | 5.12 Mbps                                                                                  |

## Output Signals

Table D-7. Output Signal Specifications

| Parameter             | Specification    |
|-----------------------|------------------|
| Termination Impedance | 100Ω             |
| Amplitude             | 2.2Vpp to 2.8Vpp |
| Data Rate             | 5.12 Mbps        |



## Roof Antenna

Table D-8. Antenna Specifications

| Parameter             | Specification                                           |
|-----------------------|---------------------------------------------------------|
| Type                  | Active, with proprietary 2-way time transfer technology |
| Cable length          | Maximum 1000 ft. (305 m) from antenna to shelf          |
| Dimensions            | Height: 6.5 in (16.5 cm) Diameter: 5.9 in (15 cm)       |
| Weight                | 1.7 lb. (0.77 kg)                                       |
| Operating Temperature | -35 to 75°C                                             |
| Storage Temperature   | -40 to 80°C                                             |
| Operating Humidity    | 0 to 100% relative humidity                             |
| Power                 | 36 V nominal                                            |
| Connector type        | TNC                                                     |
| Gain                  | 53 dB                                                   |
| Impedance             | 50 Ω / 75 Ω                                             |

## Factory Defaults

This section provides the factory defaults for the TimeCreator 1000 GPS and DTI port parameters, IMC and communications parameters, and alarm parameters.

Table D-9. GPS and DTI Port Parameters

| Description                        | Default Value | Value Range       |
|------------------------------------|---------------|-------------------|
| System Mode of Operation           | Root          | Root   Subtending |
| Port 1 thru 10 State               | Enable        | Enable   Disable  |
| Port 1 thru 12 Cable Advance Mode  | Auto          | Auto   Manual     |
| Port 1 thru 12 Cable Advance Value | 0             | 0 to 200 meters   |
| Port A & B Type                    | Server        | Server   Client   |
| Port A & B State                   | Disabled      | Enable   Disable  |
| Port A Priority (input)            | 2             | 1 thru 5          |
| Port B Priority (input)            | 3             | 1 thru 5          |

Table D-9. GPS and DTI Port Parameters (Continued)

| Description        | Default Value                                       | Value Range                                                                                                             |
|--------------------|-----------------------------------------------------|-------------------------------------------------------------------------------------------------------------------------|
| GPS State          | Disable                                             | Enable   Disable                                                                                                        |
| GPS Priority       | 1                                                   | 1 thru 5                                                                                                                |
| GPS Position Mode  | Auto                                                | Auto   Manual                                                                                                           |
| GPS Position       | Lat – 0:0:0.0<br>Long – 0:0:0.0<br>Elevation– 0.0 m | LAT = dd:mm:ss.ssN or<br>dd:mm:ss.ssS<br>LONG = dd:mm:ss.ssE or<br>dd:mm:ss.ssW<br>ELEV = +/-hhhh.h height<br>in meters |
| GPS Elevation Mask | 10                                                  | 0 to 45 degrees                                                                                                         |
| Leapseconds        | 14                                                  | 0 to 40                                                                                                                 |

Table D-10 provides the IMC module and communication parameter factory default values and range.

Table D-10. IMC and Communication Parameters

| Description          | Default Value | Value Range                  |
|----------------------|---------------|------------------------------|
| TOD Source           | RTC           | RTC   USER   NTP   DTI   GPS |
| Local Time Offset    | 00:00         | +/-hh:mm                     |
| EIA-232 Service      | Enable        | Enable   Disable             |
| Telnet Service       | Enable        | Enable   Disable             |
| SSH Service          | Enable        | Enable   Disable             |
| SNMP Service         | Enable        | Enable   Disable             |
| FTP Service          | Disable       | Enable   Disable             |
| NTP Service          | Enable        | Enable   Disable             |
| SYSLOG Service       | Enable        | Enable   Disable             |
| User #1 Access level | 3             | 1   2   3                    |
| User #1 UserName     | admin         |                              |
| User #1 Password     | SymmTC1000    |                              |
| Eth0 IP mode         | Static        | Static DHCP                  |
| Eth0 IP state        | Enable        | Enable Disable               |

Table D-10. IMC and Communication Parameters (Continued)

| Description                              | Default Value      | Value Range                                      |
|------------------------------------------|--------------------|--------------------------------------------------|
| Eth0 Host IP Address                     | 10.0.0.100         | Valid IPv4 Host Address                          |
| Eth0 Host Gateway Address                | 0.0.0.0            | Valid IPv4 Gateway Address                       |
| Eth0 Host Mask                           | 255.255.255.0 (24) | 0 to 32                                          |
| Eth1 IP mode                             | Static             | Static DHCP                                      |
| Eth1 IP state                            | Enable             | Enable Disable                                   |
| Eth1 Host IP Address                     | 10.0.0.101         | Valid IPv4 Host Address                          |
| Eth1 Host Gateway Address                | 0.0.0.0            | Valid IPv4 Gateway Address                       |
| Eth1 Host Mask                           | 255.255.255.0 (24) | 0 to 32                                          |
| Hostname                                 | TC1000             | 20 ASCII characters                              |
| SNMP Manager IP Address or hostname      |                    | Valid IPv4 Host Address or hostname              |
| SNMP Username (list)                     |                    | 20 ASCII Characters                              |
| SNMP Authentication Key (list)           |                    | 20 ASCII Characters                              |
| SNMP Private Key (list)                  |                    | 20 ASCII Characters<br>a Minimum of 8 characters |
| NTP Server Key ID                        |                    | 1 to 65535                                       |
| NTP Server Encryption Key                |                    | Max of 32 ASCII Characters                       |
| NTP Peer IP or hostname                  |                    | Valid IPv4 Address or hostname                   |
| NTP Peer Key ID                          |                    | 1 to 65535                                       |
| NTP Peer Encryption Key                  |                    | Max of 32 ASCII Characters                       |
| RADIUS Authentication                    | Disable            | Enable   Disable                                 |
| RADIUS Server IP Address or hostname     |                    | Valid IPv4 Host Address or hostname              |
| RADIUS Server Key                        |                    | Max of 32 ASCII characters                       |
| TACACS+ Authentication                   | Disable            | Enable   Disable                                 |
| TACACS+ Server #1 IP Address or hostname |                    | Valid IPv4 Host Address or hostname              |
| TACACS+ Server key                       |                    | Maximum of 32 ASCII characters                   |
| Local Alarm Log Buffer Size              | 100                | 0 to 100 kbytes                                  |
| Local Event Log Buffer Size              | 100                | 0 to 100 kbytes                                  |

Table D-10. IMC and Communication Parameters (Continued)

| Description                       | Default Value | Value Range                |
|-----------------------------------|---------------|----------------------------|
| Local Command Log Buffer Size     | 100           | 0 to 100 kbytes            |
| Local Security Log Buffer Size    | 100           | 0 to 100 kbytes            |
| Local NTP Log Buffer Size         | 100           | 0 to 100 kbytes            |
| Local Performance Log Buffer Size | 100           | 0 to 100 kbytes            |
| Performance Log Interval (sec)    | 60            | 0 = disable or 10 to 86400 |

## Alarm Default Values

Table D-11. GPS and DTI Port Alarm Parameters

| Description                                      | Default Value | Value Range (seconds)         |
|--------------------------------------------------|---------------|-------------------------------|
| Port 1 thru 12 – FER Interval                    | 10            | 0 = Disable, 1 to 1000        |
| Port 1 thru 12 – Jitter Interval                 | 10            | 0 = Disable, 1 to 1000        |
| Port 1 thru 12 – MTIE-t Interval                 | 35            | 0 = Disable, 1 to 1000        |
| Port 1 thru 12 – FER Set Threshold (E-04)        | 100           | 0 = Disable, 5 to 10000       |
| Port 1 thru 12 – FER Clear Threshold (E-04)      | 10            | 0 = Disable, 5 to 10000       |
| Port 1 thru 12 – P-P_Jitter Set Threshold (pS)   | 8000          | 0 = Disable, 5000 to 10000000 |
| Port 1 thru 12 – P-P_Jitter Clear Threshold (pS) | 5000          | 0 = Disable, 5000 to 10000000 |
| Port 1 thru 12 – MTIE-35 Set Threshold (pS)      | 10000         | 0 = Disable, 5000 to 10000000 |
| Port 1 thru 12 – MTIE-35 Clear Threshold (pS)    | 7000          | 0 = Disable, 5000 to 10000000 |
| Port 1 thru 12 – MTIE-t Set Threshold (pS)       | 10000         | 0 = Disable, 5000 to 10000000 |
| Port 1 thru 12 – MTIE-t Clear Threshold (pS)     | 7000          | 0 = Disable, 5000 to 10000000 |

## Appendix E Software Licenses

This product contains licensed third party software, including software available under the GPL licensing scheme. The text of each license is available in the "License" folder located on the Product Information CDROM that is supplied with the TimeCreator 1000. Additionally, you can obtain these licenses and the open-source software by contacting Symmetricom Technical support at the following numbers:

- Worldwide (Main Number): 1-408-428-7907
- USA, Canada, Latin America including Caribbean, Pacific Rim including Asia, Australia and
- New Zealand: 1-408-428-7907
- USA toll-free: 1-888-367-7966 (1-888-FOR-SYMM)
- Europe, Middle East & Africa: 49 700 32886435

An administrative fee may be charged to obtain the source code.

By using the TimeCreator 1000, the user agrees to the terms of these licenses.

### **In This Appendix**

- [Third-Party Software](#)

## Third-Party Software

---

The following is a list of third-party software applications provided with the TimeCreator 1000.

- bash-2.05a
- busybox-1.01
- cron-3.0pl1
- daemontools-0.76
- dhcpd-1.3.22pl1
- e2fsprogs-1.27
- eeepro100-1.09
- findutils-4.1.7
- glibc-2.3.2
- glibc-2.3.2
- grub-0.97
- hardhatutils-1.14
- hostname-2.09
- ifupdown-0.6.4
- initscripts-2.78
- iproute-20030805
- iptables-1.2.9
- iputils-tracepath-20020124
- kernel-2.4.20\_dev
- less-358
- libpam-0.72
- libpam-cracklib-0.72
- libpam-dev-0.72
- libpam-modules-0.72
- libpam-runtime-0.72
- linux-ftpd-0.17
- linuxinfo-1.1.7
- logrotate-3.5.7
- ltrace-0.3.10

- macphy-1.6
- mii
- modutils-2.4.21
- mount-2.11h
- net-snmp-5.1
- net-tools-1.60
- netbase-4.06
- netkit-telnet-server-0.17
- ntp-dev-4.2.0b-rc1-20060306
- openssh-3.7.1p2
- openssh-clients-3.7.1p2
- openssh-server-3.7.1p2
- openssl-0.9.7b
- pam\_radius\_license-1.3.16
- pam\_tacplus-1.2.9
- pam\_tally-0.1
- pciutils-2.1.8
- rpm-4.1
- setserial-2.17
- shellutils-2.0.11
- sudo-1.6.7p3
- sysklogd-1.4.1
- sysvinit-2.78
- util-linux-2.11h
- xinetd-2.3.3





# Index

---

## A

AC power connections [52](#)  
access level  
  changing [68](#)  
  displaying [68](#), [157](#)  
  setting [157](#)  
accessory part numbers [34](#)  
adding a user [157](#)  
address  
  gateway configuration [65](#)  
  IP [30](#)  
  IP configuration [65](#)  
  RADIUS IP [69](#)  
  static IP configuration [70](#)  
  subnet mask configuration [65](#)  
  TACACS IP [69](#)  
alarm threshold  
  setting set and clear [81](#)  
alarms  
  display status information [82](#)  
  enable/disable procedure [80](#)  
  provisioning [31](#)  
  set and clear values [80](#)  
antenna  
  installation tools [40](#)  
  installing [165–171](#)  
  lightning suppressor, installing [170](#)  
  pipe-mounting [167](#)  
authentication scheme [69](#)

## B

backup configuration [83](#)  
basic configuration [34](#)  
  components required [34](#)  
  see also redundant configuration  
basic operation [50](#)  
BITS connections [49](#)  
BITS connectors [25](#), [26](#)  
blank panels [34](#)  
bridging mode, described [24](#)  
BSoD, defined [21](#)

## C

cable advance [80](#)  
cables  
  antenna to shelf [167](#)  
  lightning suppressor [167](#)  
cautions defined [17](#)  
CLI Commands [111–157](#)  
CLI protocol [29](#)  
clock  
  frame [30](#)  
  master [30](#)  
command  
  GPS [126](#)  
Command Line Interface (CLI) [110](#)

commands, alphabetical listing  
  description [111](#)  
communications ports  
  IMC management Ethernet [29](#)  
  IMC NTP server Ethernet [29](#)  
  IMC serial [29](#), [64](#)  
component part numbers [34](#)  
configuration  
  backup and restore [83](#)  
  see also non-redundant configuration  
  basic components required [34](#)  
  gateway address [65](#)  
  IP address [65](#)  
  redundant [34](#)  
  subnet mask address [65](#)  
configuring  
  ethernet port [23](#)  
  serial port [23](#)  
connections  
  AC power [52](#)  
  BITS [49](#)  
  DC power [52](#)  
  DTI [49](#)  
  ethernet management port [47](#)  
  GPS [49](#)  
  grounding [50](#)  
  M-CMTS components [49](#)  
  NTP server port [47](#)  
  serial port [48](#)  
  subtending server [49](#)  
connectors  
  BITS [25](#), [26](#)  
  DTI client [29](#)  
  DTI client links [26](#)  
  DTI reference signal [30](#)  
  DTI root server [29](#), [30](#)  
  GPS input [47](#)  
  GPS reference signal [30](#)  
  IMC [28](#)  
  IMC ethernet [23](#)  
  management ethernet [47](#)  
  NTP server Ethernet [47](#)  
  power [29](#)  
  rear panel [29](#), [47](#)  
  serial port [23](#), [47](#)

## D

DC power connections [52](#)  
default IP address [65](#)  
DHCP mode  
  enable [70](#)  
DOCSIS timestamp [30](#)  
DOCSIS Timing Interface (DTI) [20](#)  
documentation, related [18](#)

## DTI 28

- connections 22, 30, 49
- input reference 26
- input signals 22
- input status LED 77
- output status LED 77
- reference 26, 30
- reference provisioning 74
- reference signal connector 30
- root server connectors 29
- server output 30
- subtending server 20
- timestamp 22, 26, 30, 74

## DTI client

- connectors 29
- link connectors 26
- monitoring 25
- status log files 25

## DTI link LED descriptions 54

---

## E

- EIA-232, see serial port
- electromagnetic compatibility (EMC) 42
- electrostatic discharge (ESD) 43
- ethernet management port
  - connections 47
- ethernet port 30
  - configuring 23
  - connections 23

---

## F

- fast-Lock mode, described 24
- firmware 93
- frame clock 30
- frame error rate (FER) 25
  - alarm settings, retrieving 81
  - provisioning alarm thresholds 81
- free-run, described 24
- frequency mode, described 24

---

## G

- gateway address 70
- gateway address configuration 65
- GPS
  - antenna connection 28
  - BSoD, defined 21
  - connections 22, 30, 49
  - input 26
  - input connectors 47
  - input signals 22
  - installing antenna 165–171
  - LED description 53
  - provisioning port state 129
  - reference 26, 30
  - reference provisioning 74
  - reference signal connector 30
  - root server operation 71, 73
  - setting satellite parameters 74
  - Time of Day 20

- GPS antenna
  - installation tools 40
  - part numbers 35
- GPS command 126
- grounding connections 50

---

## H

- holdover mode, described 24
- host address setup 70

---

## I

- IMC communications ports 29
- IMC connectors 28
- IMC module LED descriptions 53
- IMC module LEDs 28
- Information Management Card (IMC) 22
- input priority level 22
- input signals
  - DTI 22, 26
  - GPS 22, 26
- Input/Output/Clock (IOC) 22
- installing
  - antenna 165–171
- IOC module LED descriptions 53
- IOC module LEDs 28
- IP address
  - default 65
- IP address configuration 65
  - RADIUS 69
  - static 70
  - TACACS 69

---

## J

- jam sync, defined 75
- jitter
  - alarm settings, retrieving 81
  - provisioning alarm thresholds 81

---

## L

- LEDs
  - DTI input status 77
  - DTI links 54
  - DTI output status 77
  - GPS 53
  - IMC module 28, 53
  - IOC module 28, 53
  - power module 29, 53
- lightning suppressor 166
- lightning suppressor, installing 170
- local area network (LAN)
  - connecting to 23
- log files
  - DTI client status 25
- login
  - preventing 68

---

## M

- management ethernet connector 47

mask address [70](#)  
master clock [30](#)  
M-CMTS connection [49](#)  
module slots  
  vacant [34](#)  
MTIE  
  alarm settings, retrieving [81](#)  
  provisioning alarm thresholds [80](#)  
MTIE, described [25](#)

---

## N

non-redundant operation [50](#)  
  see also basic operation  
non-revertive  
  provisioning for [78](#)  
non-revertive, described [22](#)  
normal mode, described [24](#)  
notes defined [17](#)  
NTP  
  enable/disable procedure [79](#)  
  system TOD [31](#)  
NTP server ethernet connector [47](#)  
NTP server port  
  connections [47](#)  
NTP timestamp source [30](#)

---

## O

operating modes, described [24](#)

---

## P

panels  
  blank [34](#)  
part numbers  
  component and accessories [34](#)  
  GPS antenna [35](#)  
passwords [67](#), [68](#)  
peak to peak jitter [25](#)  
performance monitoring  
  MTIE calculations [25](#)  
  phase measurements [25](#)  
phase data, defined [25](#)  
pipe-mounting the antenna [167](#)  
power connections  
  AC [52](#)  
  DC [52](#)  
power connectors [29](#)  
power module LED [29](#)  
power module LED descriptions [53](#)  
priority level  
  CLI command [22](#)  
product overview, TimeCreator 1000 [19](#)  
protocol  
  CLI [29](#)  
  SNMP [29](#)  
provisioning  
  alarms [31](#)  
  non-revertive mode [78](#)  
  revertive mode [78](#)  
purpose of this guide [14](#)

---

## Q

qualified reference [26](#)

---

## R

RADIUS IP address [69](#)  
rear panel connectors [29](#), [47](#)  
recommendations defined [17](#)  
redundant configuration [34](#)  
  components required [34](#)  
  see also basic configuration  
redundant operation [50](#)  
reference  
  DTI [26](#), [74](#)  
  GPS [26](#)  
reference provisioning  
  DTI [74](#)  
  GPS [74](#)  
related documentation [18](#)  
repairs [92](#)  
restore configuration [83](#)  
return material authorization number (RMA) [96](#)  
returning equipment [96](#)  
revertive mode  
  provisioning [78](#)  
revertive, described [22](#)

---

## S

satellite position parameters [74](#)  
security levels, described [66](#)  
serial port  
  communication [64](#)  
  configuring [23](#)  
  connections [48](#)  
  connector [23](#), [47](#)  
service  
  technical assistance [42](#)  
SNMP  
  enable/disable procedure [79](#)  
  manager IP address [79](#)  
SNMP protocol [29](#)  
static IP address  
  gateway setup [70](#)  
  host setup [70](#)  
  mask setup [70](#)  
static IP address configuration [70](#)  
structure of this guide [15](#)  
subnet mask address configuration [65](#)  
subtending server [20](#)  
subtending server connection [49](#)  
Symmetricom Global Services (SGS) [42](#)  
system reference [26](#)  
  priority level [22](#)  
system TOD  
  NTP [31](#)  
  user-specified time [31](#)

---

## T

TACACS IP address [69](#)

---

Index  
U—W

technical assistance [42](#)  
Time of Day (TOD) [23](#)  
Time of Day, setting [71](#)  
timestamp  
    DOCSIS [30](#)  
    DTI [22](#), [26](#), [30](#), [74](#)  
timestamp source  
    NTP [30](#)  
timing antenna, installing [165–171](#)  
TOD alignment [22](#)  
Two-Way Antenna  
    connection [28](#)  
    installation [163](#)  
    installation tools [40](#)  
    required tools [164](#)

---

## U

user  
    preventing login [68](#)  
user access levels  
    displaying [68](#)  
user-specified time  
    system TOD [31](#)

---

## V

vacant module slots [34](#)

---

## W

warm-up mode, described [24](#)  
warnings defined [17](#)  
web address [18](#)